



## AC INLET Series

### KLS1-AS-301-3 IEC AC INLET Series

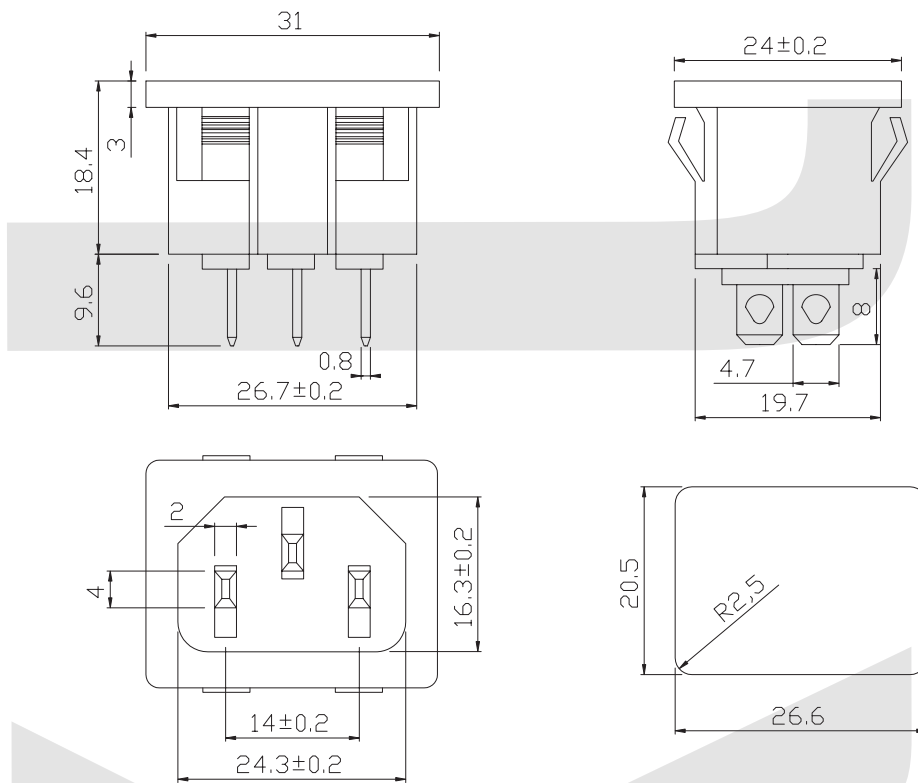
**SPECIFICATION:**

Current Rating: 250VAC 10A  
 Contact Resistance: 30mΩ Max.  
 Insulator Resistance: 100MΩ Min. at DC 500V  
 Dielectric withstand Strength test: 2000VAC / 1 minute  
 between each terminals

Insertion and Removal force: 5 ~ 40N  
 Operating Temperature: -40°C~+105°C  
 Electrical Life: 5000 cycles Min.

**Material:**

Insulator: PBT UL 94V-0 or PA66/PC UL 94V-0  
 Terminal: Brass ,plating Ni.



## ORDER INFORMATION

Product NO.: **KLS1-AS-301-3**

Pos. NO. \_\_\_\_\_  
 AC Inlet Type \_\_\_\_\_