



HDMI Connector Series

KLS1-282 HDMI 19PIN Male Solder Type

MATERIAL

Housing : LCP, UL 94V-0, Black
 Cover : LCP, UL 94V-0
 Terminal: Phosphor Bronze
 Shell: Brass/SPCC
 Contact Finish : 30u" Gold On Mating End, Tin On Termination End,
 With Entire Contact Nickel Underplated.
 Shell-Copper Alloy, Nickel Plated

ELECTRICAL

Current Rating : 0.5A
 Dielectric Withstanding Voltage : 40V AC Per Minute
 Insulation Resistance : 100MΩ MIN
 Contact Resistance : 30MΩ MAX
 Operating Temperature : -25°C ~ +85°C

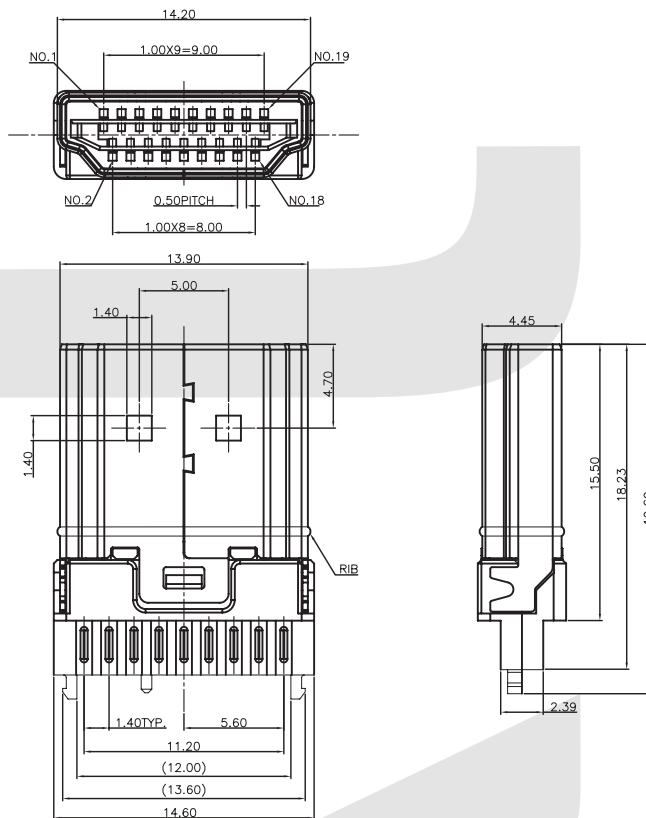
MECHANICAL

Insertion Force: 44.1 N Max.
 Withdraw Force: 9.8 N Min.



Feature

- 1.HDMI is the first industry-supported, uncompressed, all-digital audio/video interface.
- 2.HDMI provides an interface between any audio/video source.
- 3.HDMI supports standard, enhanced, or high-definition video, plus multi-channel digital audio on a single cable.
- 4.It transmits all ATSC HDTV standards and supports 8-channel digital audio, with bandwidth to spare to accommodate future enhancements and requirements.
- 5.HDMI is full backward-compatible with DVI that handles digital transfers at rates up to 5 Gbps !



ORDER INFORMATION

Product NO.: KLS1 - 281 - 19 - 1 1 X X W

| | |
|-----------------------------------|--|
| Pos. NO. | Color: W=WHITE B=BLACK |
| Product Kind | Terminal Plate: 1 = 1U" 3 = 3U" 5 = 5U" 10 = 10U" 15 = 15U" 30 = 30U" |
| Pin Number | Shell Plate: N=Nickel 1=1U" 3=3U" |
| Type: 1=Male 2= Female | |
| Shell Material: 1=Brass 2=SPCC | |