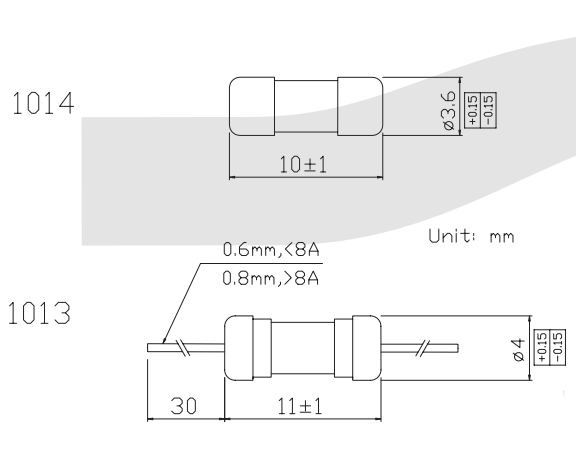


FUSE AND FUSE HOLDER

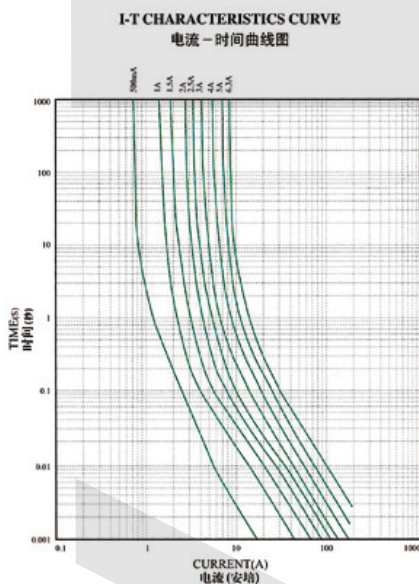
Φ3.6x10 Ceramic Tube Fuse Series

KLS5-1013/1014 Φ3.6x10 Ceramic Tube Fuse (Slow Blow) Series



ELECTRICAL CHARACTERISTICS

RATING	BLOWING TIME
100%	4 hours Min
200%	1-60 Sec Max



Part No.	Rated Current	Rated Voltage
1014-0100	100mA	125V/250V
1014-0125	125mA	125V/250V
1014-0150	150mA	125V/250V
1014-0160	160mA	125V/250V
1014-0200	200mA	125V/250V
1014-0250	250mA	125V/250V
1014-0300	300mA	125V/250V
1014-0315	315mA	125V/250V
1014-0350	350mA	125V/250V
1014-0400	400mA	125V/250V
1014-0500	500mA	125V/250V
1014-0600	600mA	125V/250V
1014-0700	700mA	125V/250V
1014-0750	750mA	125V/250V
1014-0800	800mA	125V/250V
1014-1000	1A	125V/250V
1014-1200	1.2A	125V/250V
1014-1250	1.25A	125V/250V
1014-1500	1.5A	125V/250V
1014-1600	1.6A	125V/250V
1014-1800	1.8A	125V/250V
1014-2000	2A	125V/250V
1014-2500	2.5A	125V/250V
1014-3000	3A	125V/250V
1014-3150	3.15A	125V/250V
1014-3500	3.5A	125V/250V
1014-4000	4A	125V/250V
1014-5000	5A	125V/250V
1014-6000	6A	125V/250V
1014-6300	6.3A	125V/250V
1014-7000	7A	125V/250V
1014-8000	8A	125V/250V
1014-10000	10A	125V/250V
1014-12000	12A	125V/250V
1014-15000	15A	125V/250V

Part No.	Rated Current	Rated Voltage
1013-0100	100mA	125V/250V
1013-0125	125mA	125V/250V
1013-0150	150mA	125V/250V
1013-0160	160mA	125V/250V
1013-0200	200mA	125V/250V
1013-0250	250mA	125V/250V
1013-0300	300mA	125V/250V
1013-0315	315mA	125V/250V
1013-0350	350mA	125V/250V
1013-0400	400mA	125V/250V
1013-0500	500mA	125V/250V
1013-0600	600mA	125V/250V
1013-0700	700mA	125V/250V
1013-0750	750mA	125V/250V
1013-0800	800mA	125V/250V
1013-1000	1A	125V/250V
1013-1200	1.2A	125V/250V
1013-1250	1.25A	125V/250V
1013-1500	1.5A	125V/250V
1013-1600	1.6A	125V/250V
1013-1800	1.8A	125V/250V
1013-2000	2A	125V/250V
1013-2500	2.5A	125V/250V
1013-3000	3A	125V/250V
1013-3150	3.15A	125V/250V
1013-3500	3.5A	125V/250V
1013-4000	4A	125V/250V
1013-5000	5A	125V/250V
1013-6000	6A	125V/250V
1013-6300	6.3A	125V/250V
1013-7000	7A	125V/250V
1013-8000	8A	125V/250V
1013-10000	10A	125V/250V
1013-12000	12A	125V/250V
1013-15000	15A	125V/250V

ORDER INFORMATION

Product NO.: KLS5-1013-XXXX

