

Switch

Tact Switch Series

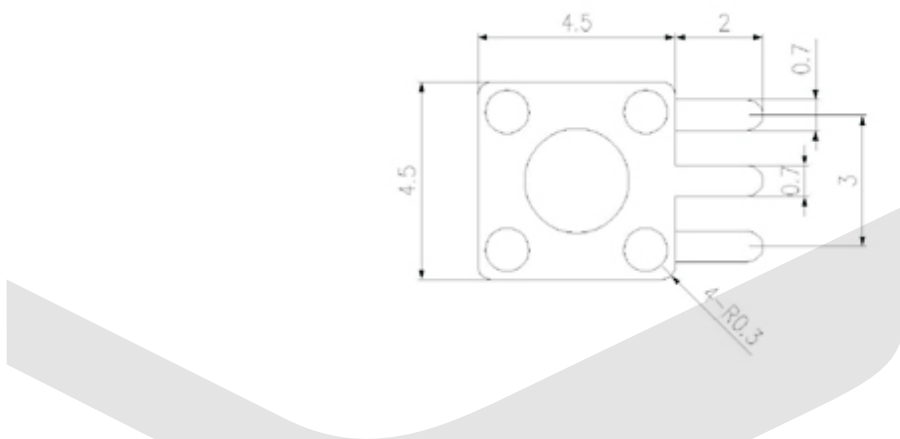
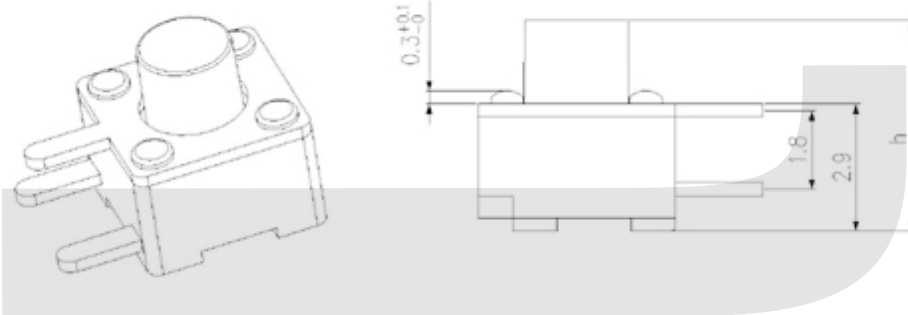
KLS7-TS4503 4.50 x 4.50mm Tact Switch Series

ELECTRICAL

1. Rating: 20mA 12Vdc
2. Contact Resistance : 50mΩ Max.
3. Insulation Resistance: 100MΩ Min.
4. Dielectric Strength : AC250V(50/60Hz for 1minute)
5. Electrically Life: 100, 000cycles
6. Environment temperature: -25°C~+70°C
7. Operating Force: 180~250±30gf
8. Seal temperature: 260°C~ 280°C



VII



ORDER INFORMATION

KLS7-TS4503 - 3.8 - 180
Series No. Operating Force : 180±30gf
Hight: 3.8mm / 4.8mm / 7.0mm / 8.5mm