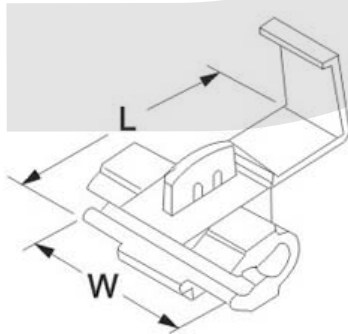


Terminals Series

KLS8-0606 Rapid joint Series

Maximum Electrical Rating: 105°C 600 VOLTS MAX.
Insulation Material: P.P
Terminal Material: BRASS



WIRE RANGE A. W. G. mm ²	ITEM NO.	DIMENSION inch (mm)		FIGURE	COLOR	Q' TY BOX
		W	L			
22-18 A. W. G. 0.5-0.75 mm ²	878100	0.787 20	1.063 27		RED	500
	878100N	0.787 20	1.063 27		RED	500
18-14 A. W. G. 0.75-2.5 mm ²	878101	0.787 20	1.063 27		BLUE	500
	878101W	0.787 20	1.063 27		WHITH	
12-10 A. W. G. 4-6 mm ²	878201	0.807 20.5	1.358 34.5		YELLOW	200

ORDER INFORMATION

KLS8-0606 - 878100

Item No.
Rapid joint Series
Part Number

Terminals Series

KLS8-0606 Rapid joint Series

Maximum Electrical Rating: 105°C 600 VOLTS MAX.
Insulation Material: NYLON
Terminal Material: PHOSPHOR BRONZE



VIII

WIRE RANGE A. W. G. mm ²	ITEM NO.	Suggested Mate With Male Tab (Thickness X Width)	DIMENSION inch (mm)		FIGURE	COLOR	Q' TY BOX
			W	L			
22-18 A. W. G. 0.5-0.75 mm ²	878006	MDFNY1-250 (.032X.250)	0.386 9.8	1.457 37		RED	500
18-14 A. W. G. 0.75-2.5 mm ²	878106	MDFNY2-250 (.032X.250)	0.386 9.8	1.457 37		BLUE	500
12A. W. G. 4mm ²	878206	MDFNY5-250 (.032X.250)	0.386 9.8	1.457 37		YELLOW	500

ORDER INFORMATION

KLS8-0606 - 878100

Item No.
Rapid joint Series
Part Number

Terminals Series

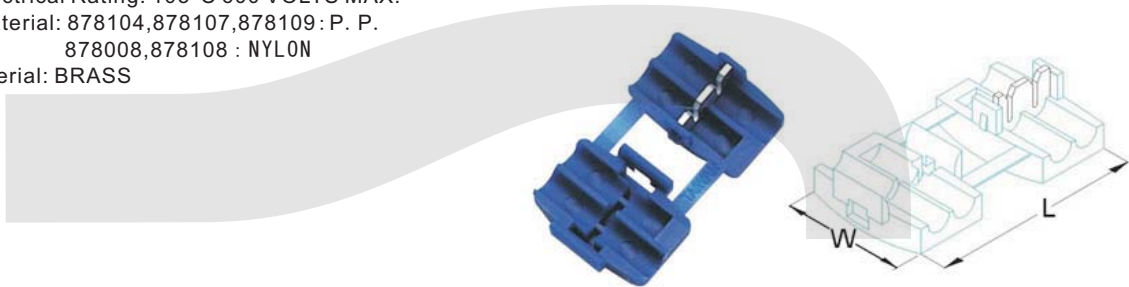
KLS8-0606 Rapid joint Series

Maximum Electrical Rating: 105°C 600 VOLTS MAX.

Insulation Material: 878104,878107,878109: P. P.

878008,878108 : NYLON

Terminal Material: BRASS



VIII

WIRE RANGE A. W. G. mm ²	ITEM NO.	DIMENSION inch (mm)		FIGURE	COLOR	Q' TY BOX
		W	L			
16-14 A. W. G. 1.5-2.5 mm ²	878104	0.787 20	1.929 49		RED/BLUE	250
18-14 A. W. G. 0.75-2.5 mm ²	878107	0.689 17.5	1.22 31		BLUE/ BLACK	500
18-14 A. W. G. 0.75-2.5 mm ²	878109	1.102 28	1.22 31		BLACK	250
22-18 A. W. G. 0.5-0.75 mm ²	878008	1.378 35	1.339 34		RED	250
18-14 A. W. G. 0.75-2.5 mm ²	878108	1.378 35	1.339 34		BLUE	250

ORDER INFORMATION

KLS8- 0606 - 878100

Item No.
Rapid joint Series
Part Number