

Switch

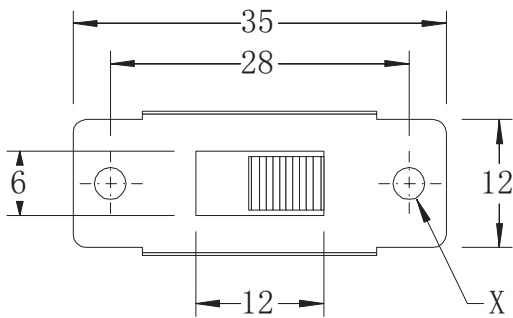
Slide Switch Series

KLS7-SS38-22J29 (2P2T) Slide Switch Series

SPECIFICATIONS

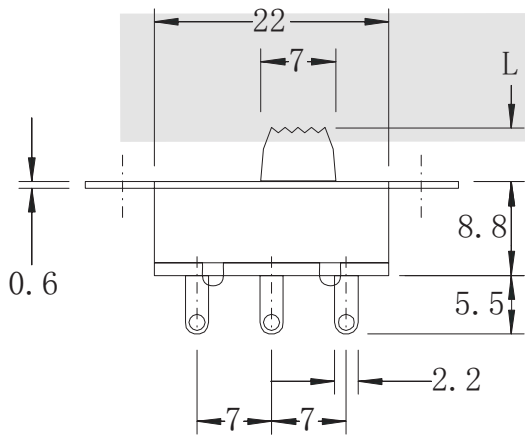
- Rating: 1.5A 250VAC
- Contact Resistance: 30mΩ Max
- Insulation Resistance: 500VDC 100MΩ Min
- Dielectric Strength: 500V AC 1 Minute
- Operating Force: 200gf~600gf
- Electrical Life : 10,000 cycles

VII



X : M3X0.5/Ø3.2
M3X0.6/Ø4.0

L : 0, 1, 2, 3, 4, 5, 6, 7, 8, 9, 10, 11, 12, 13 (mm.)



| SCHEMATIC | |
|-----------|---------|
| SS38-12 | SS38-22 |
| | |
| | |

ORDER INFORMATION

KLS7-SS38 - 2 2 J 29 - X X - X

Part Number

Slide Switch Type

Pole

Throw

| Travelling | | | | | |
|------------|-----|-----|-----|-----|-----|
| C | D | E | F | G | H |
| 1.5 | 2.0 | 2.5 | 3.0 | 3.5 | 4.0 |
| I | J | K | L | N | P |
| 4.5 | 5.0 | 5.5 | 6.0 | 7.0 | 8.0 |

Operating Force

Knobe Height

Sequential No.

Knob Type

