

Potentiometer

Dimmer Potentiometer Series

KLS4-WH0162-2J (SPST) Dimmer Potentiometer

FEATURES

- *VDE, NEMKO, CB, RECOGNIZED
- *Conforms to 1058-1/ENN61058-1 (VDE0630) Standard
- *High reliability, long life, big switch capacity type
- *Form C (SPDT-NO) Contact
- *Glass fiber-filled flame-retardant polymer
- *Solder terminal
- *Used for lighting fixture, dimmer, etc

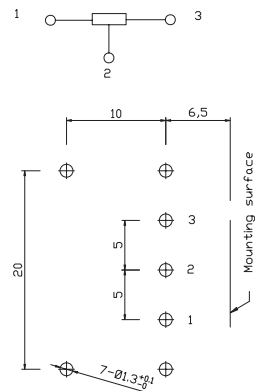
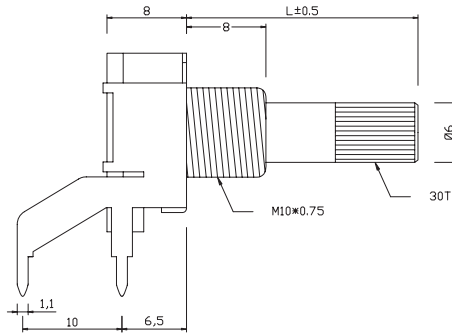
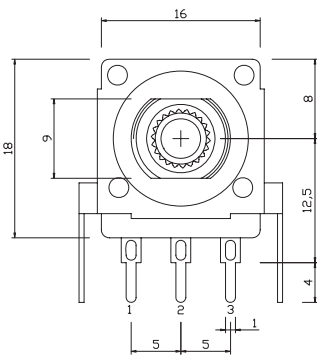
MECHANICAL SPECIFICATIONS

- Total Rotation angle: $300^{\circ} \pm 5^{\circ}$
- Rotation Torque: 20~200gf.cm
- Shaft Stop strength: 6Kgf.cm
- Switch working stroke: (3 ± 0.5) mm
- Switch working force: 50~300gf.cm
- Click position: 0/15/27/36/detents
- Temperature Range: $-20^{\circ}\text{C} \sim 70^{\circ}\text{C}$
- Mechanical life: 10000 cycles
- Electrical life: 8000 cycles

ELECTRICAL SPECIFICATIONS

- Range Resistance: $1\text{K}\Omega \sim 2\text{M}\Omega$
- Switch Rating: 10A250VAC
- Switch contact Resistance: 30 Ω Max.
- Rated wattage: Linear taper B 0.2W, other tapers 0.05W
- Rated Voltage: 250V
- Insulation resistance: 100M Ω Min. at DC500V
- Dielectric: AC1500V, 1 minute (between carbon plate and contact)
AC750V, 1 minute (between open contact)
- Resistance tolerance: $\pm 20\%$
- Rotational noise: $\leq 47\text{mV}$
- Residual resistance: $\leq 1\%R$

Dimensions (unit: mm)



ORDER INFORMATION

Product No.: **KLS4-WH0162-2J - L**

Pos. No. _____ Shaft dimensions _____
Dimmer potentiometer Series _____