

## Stereo Jack Series

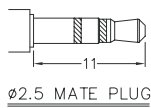
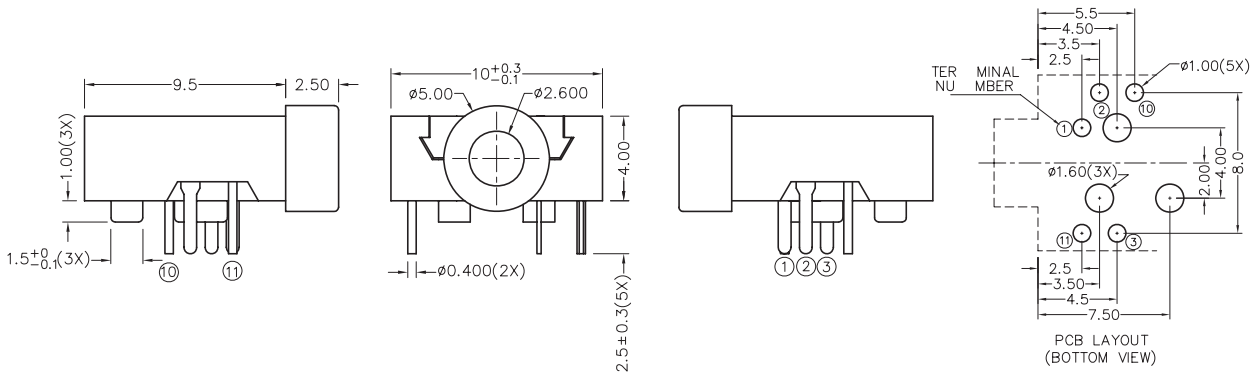
### KLS1-TSJ2.5-007B (Dip Stereo Jack)

**Technical parameters:**

Rated voltage: DC 30 V  
 Rated current: 0.5 A  
 Contact resistance: 0.03Ω, max  
 Insulation resistance: 100MΩ, min  
 Pressure: AC500V (50Hz) / 1minute  
 Insertion Force :2-20 N  
 Life: 50000 times  
 Operating Temperature:-30°C ~ 70°C

**Material:**

Housing Materia/Bushing/Coverl:PA66  
 Center Pin Material:  
 Terminal 1 : Brass  
 Terminal 2 : Copper Alloy  
 Terminal 3 : Copper Alloy  
 Terminal 10 : Copper Alloy  
 Terminal 11 : Copper Alloy



MODEL NO.	TSJ2. 5-007B	TSJ2. 5-007BA	TSJ2. 5-007BB	TSJ2. 5-006BC	TSJ2. 5-007BD	TSJ2. 5-007BE
SCHEMATIC						

## ORDER INFORMATION

Product NO.: KLS1-TSJ2.5-007BA

