

Stereo Jack Series

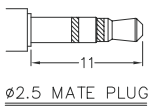
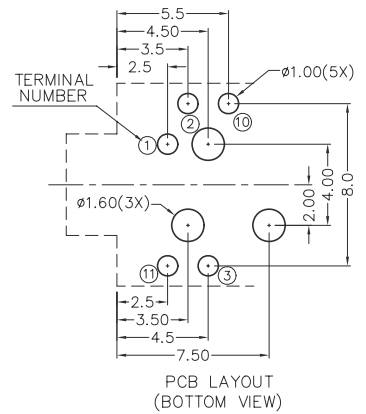
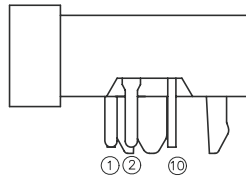
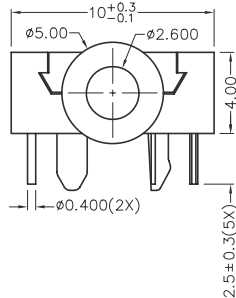
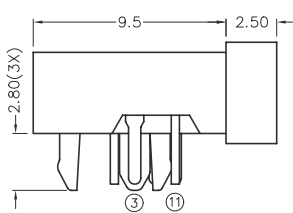
KLS1-TSJ2.5-006B (Dip Stereo Jack)

Technical parameters:

Rated voltage: DC 30 V
 Rated current: 0.5 A
 Contact resistance: 0.03Ω, max
 Insulation resistance: 100MΩ, min
 Pressure: AC500V (50Hz) / 1minute
 Insertion Force :2-20 N
 Life: 50000 times
 Operating Temperature:-30°C ~ 70°C

Material:

- Terminal 1 :Brass
- Terminal 2 :Copper Alloy
- Terminal 3 :Copper Alloy
- Terminal10 :Copper Alloy
- Terminal 11 :Copper Alloy
- Bousing :Pa66
- Housing :Pa66
- Cover :Pa66



MODEL NO.	006B	006BA	006BB	006BC	006BD	006BE
SCHMATIC						

ORDER INFORMATION

Product NO.: KLS1-TSJ2.5-006BA

