

Stereo Jack Series

KLS1-TSJ3.5-003C (Dip Stereo Jack)

Technical parameters:

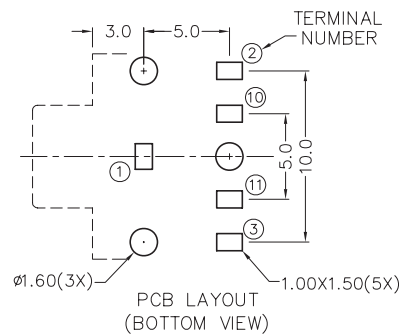
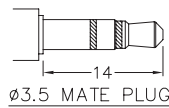
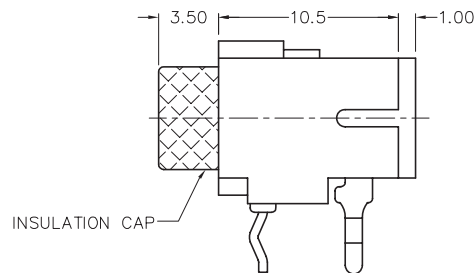
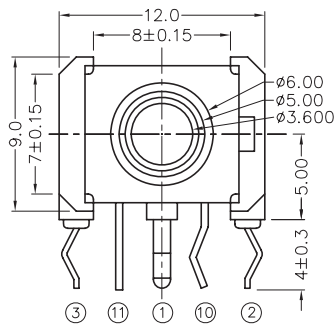
Rated voltage: DC 30 V
 Rated current: 0.5 A
 Contact resistance: 0.03Ω, max
 Insulation resistance: 100MΩ, min
 Pressure: AC500V (50Hz) / 1minute
 Insertion Force :2-20 N
 Life: 50000 times
 Operating Temperature:-30°C ~ 70°C

Material:

Housing /Cover/Insulation Cap:PBT

Center Pin Material:

Terminal 1 :Cold Rolled Steel
 Terminal 2,3 :Copper Alloy
 Terminal 10,11,Bushing :Brass
 Spring :Stainless Steel



MODEL NO.	TSJ3.5-003C	TSJ3.5-003CA	TSJ3.5-003CB	TSJ3.5-003CC	TSJ3.5-003CD
SCHMATIC					

ORDER INFORMATION

Product NO.: KLS1-TSJ3.5-003CA

