

## Stereo Jack Series

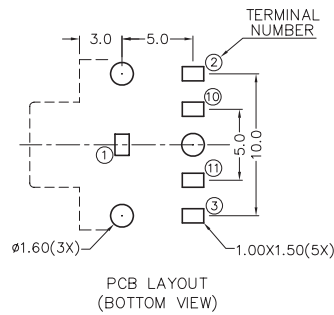
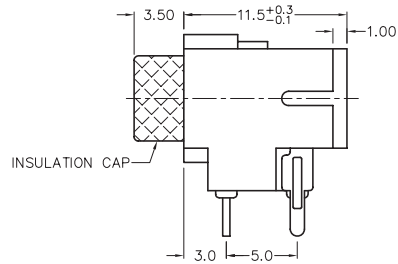
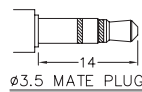
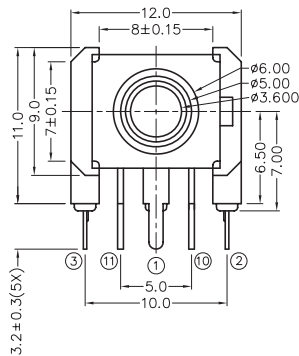
KLS1-TSJ3.5-003D (Dip Stereo Jack)

### Technical parameters:

Rated voltage: DC 30 V  
 Rated current: 0.5 A  
 Contact resistance: 0.03Ω, max  
 Insulation resistance: 100MΩ, min  
 Pressure: AC500V (50Hz) / 1minute  
 Insertion Force :2-20 N  
 Life: 50000 times  
 Operating Temperature:-30°C ~ 70°C

### Material:

Housing /Cover/Insulation Cap:PBT  
 Center Pin Material:  
 Terminal 1 :Cold Rolled Steel  
 Terminal 2,3 :Copper Alloy  
 Terminal 10,11,Bushing :Brass  
 Spring :Stainless Steel



MODEL NO.	TSJ3.5-003D	TSJ3.5-003DA	TSJ3.5-003DB	TSJ3.5-003DC	TSJ3.5-003DD
SCHEMATIC					

## ORDER INFORMATION

Product NO.: KLS1-TSJ3.5-003DA

