

## Stereo Jack Series

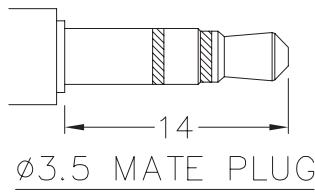
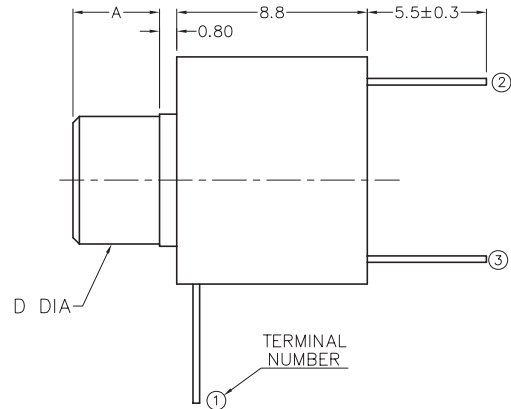
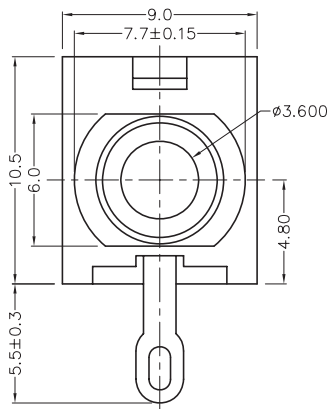
KLS1-TSJ3.5-007B (Dip Stereo Jack)

### Technical parameters:

Rated voltage: DC 30 V  
 Rated current: 0.5 A  
 Contact resistance: 0.03Ω, max  
 Insulation resistance: 100MΩ, min  
 Pressure: AC500V (50Hz) / 1minute  
 Insertion Force :2-20 N  
 Life: 50000 times  
 Operating Temperature:-30°C ~ 70°C

### Material:

Housing Material:PBT  
 Center Pin Material:  
 Terminal 1 :Brass  
 Terminal 2 :Copper Alloy  
 Terminal 3 :Brass  
 Bushing :Brass



MODEL NO.	TSJ3.5-007B	TSJ3.5-007BA
D DIA	Without NUT φ6.0	Without NUT φ6.0
A	4.0mm	3.5mm
SCHEMATIC		

## ORDER INFORMATION

Product NO.: KLS1-TSJ3.5-007BA

