

Stereo Jack Series

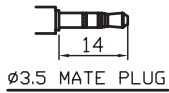
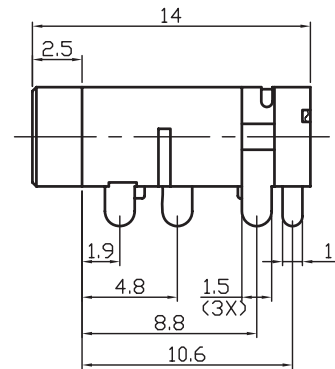
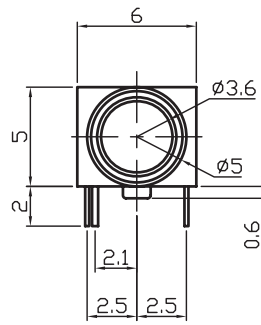
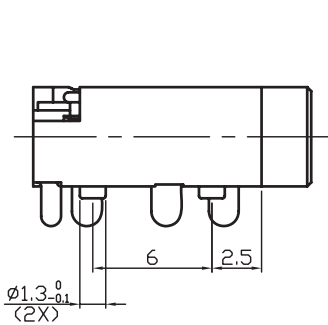
KLS1-TSJ3.5-014 (Dip Stereo Jack)

Technical parameters:

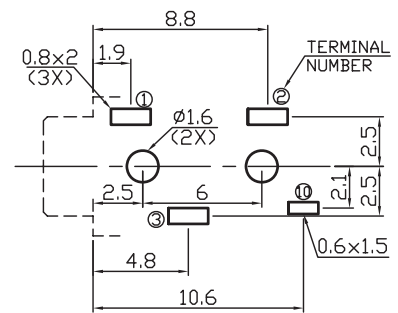
Rated voltage: DC 30 V
 Rated current: 0.5 A
 Contact resistance: 0.03Ω, max
 Insulation resistance: 100MΩ, min
 Pressure: AC500V (50Hz) / 1minute
 Insertion Force :2-20 N
 Life: 50000 times
 Operating Temperature:-30°C ~ 70°C

Material:

Terminal 1 : Copper Alloy
 Terminal 2 : Copper Alloy
 Terminal 3 : Copper Alloy
 Terminal 10 : Brass
 Housing : Pa66



MODEL	TSJ3.5-014B	TSJ3.5-014A	TSJ3.5-014
SCHEMATIC			



PCB LAYOUT
(TOP VIEW)

ORDER INFORMATION

Product NO.: KLS1-TSJ3.5-014A

