

RCA JACK Series

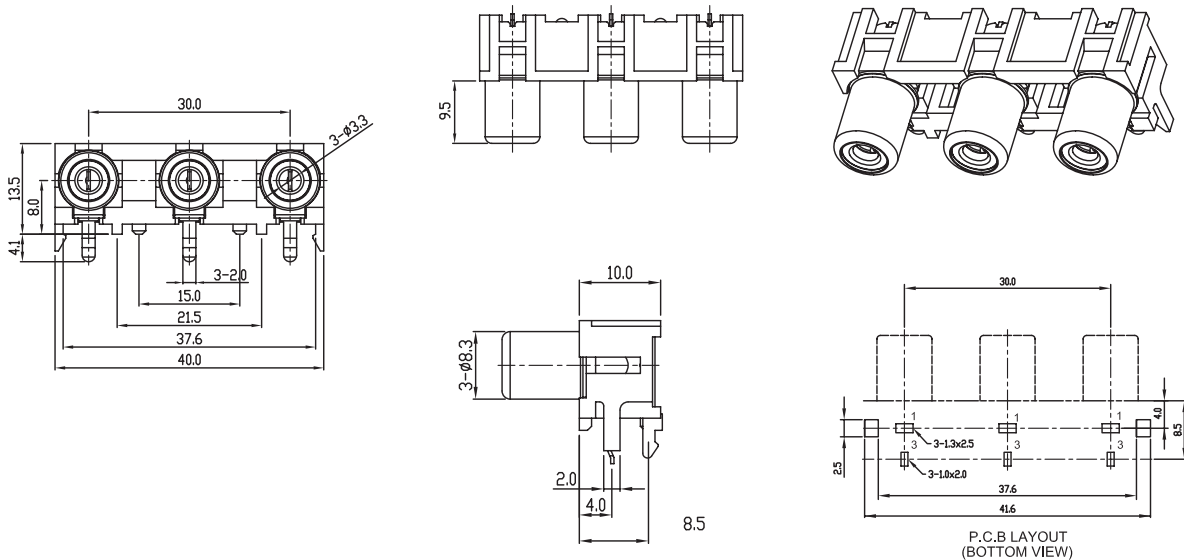
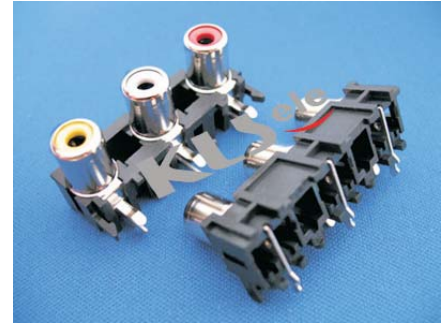
KLS1-RCA-306 R/A PCB Mount RCA Jack

Electrical Specification:

Contact resistance : 30mΩ Max
 Insulation resistance : 50MΩ Min at DC 500V
 Withstand voltage : AC 500V(50Hz) 1min
 Operating Temperature : -25°C~+85°C

Materials:

Terminal : Brass
 Shield Pin : Steel
 Washer : PBT UL94V~0
 Housing : PBT UL94V~0



MODEL NO.	RCA-306
SCHEMATIC	

ORDER INFORMATION

Product NO.: KLS1-RCA-306-N-YE-WH-RE

Pos. NO. _____
 RCA Jack Type _____
 G:Nickel Plated _____
 Color: YE-WH-RE:
 Yellow-White-Red