

## RCA JACK Series

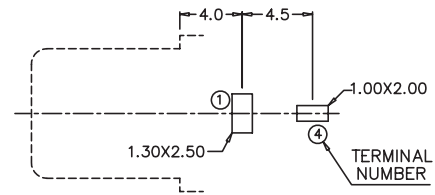
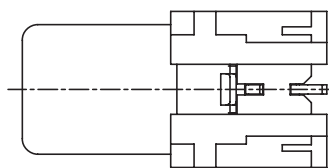
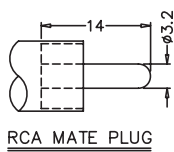
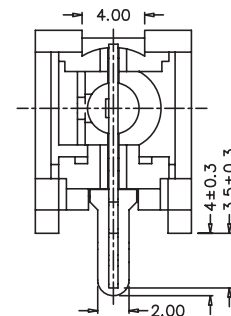
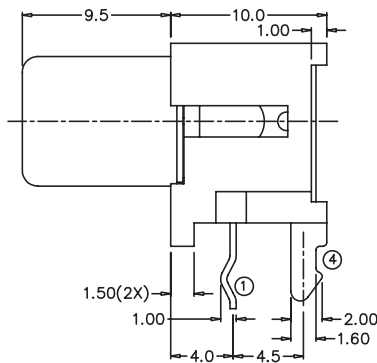
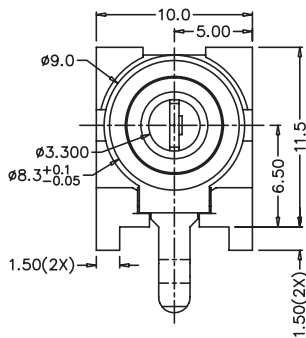
### KLS1-RCA-102 RCA Jack PCB Mount Right Angle

#### Electrical Specification:

Contact resistance : 30mΩ Max  
 Insulation resistance : 50MΩ Min at DC 500V  
 Withstand voltage : AC 500V(50Hz) 1min  
 Operating Temperature : -25°C~+85°C

#### Materials

Housing : PBT UL94V-0  
 Terminal 1 : C. R. Steel  
 Terminal 4 : Brass



MODEL NO.	RCA-102
SCHEMATIC	

## ORDER INFORMATION

Product NO.: KLS1-RCA-102-N-R

Pos. NO. \_\_\_\_\_  
 RCA Jack Type \_\_\_\_\_  
 N:Nickel Plated \_\_\_\_\_

Color: R: Red  
 B: Black  
 Y: Yellow  
 W: White