

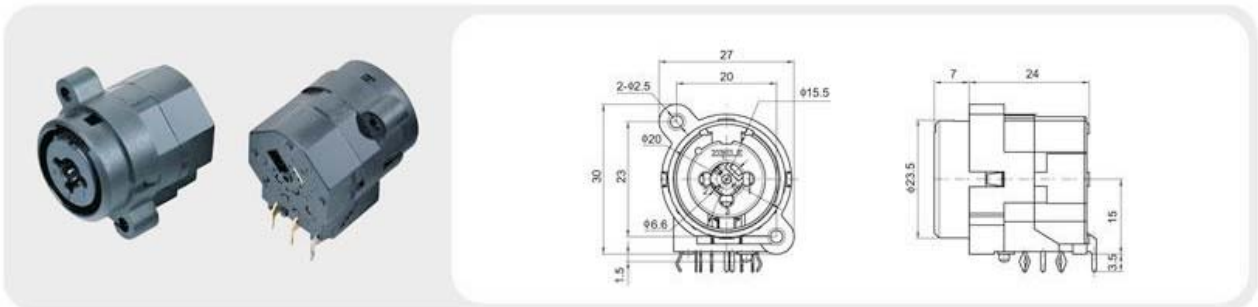
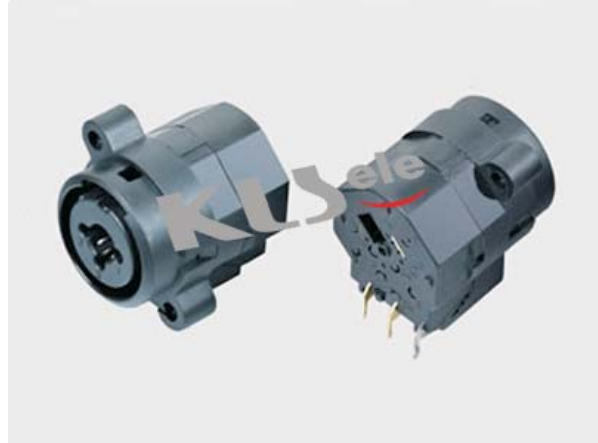
XLR Plug / XLR Socket Series

XLR CONNECTOR SERIES

KLS1-XLR-S13 (XLR Socket)

Electrical Specification:

- Contact resistance: $\leq 0.03\Omega$
- Insulation resistance: $\geq 100m\Omega$
- Withstand voltage: 500V AC (50Hz)/minute
- Rated load: 50V DC, 1A
- Insertion and extraction force: 4-40N
- Temperature range: $-30^{\circ}C \sim +80^{\circ}C$



	01	02	03	04
PCB LAYOUT				
SCHEMATIC LAYOUT				

ORDER INFORMATION

Product NO.:KLS1-XLR-S13-01

Pos. NO. _____

XLR Jack series _____

01, 02, 03 Use this chart to _____