

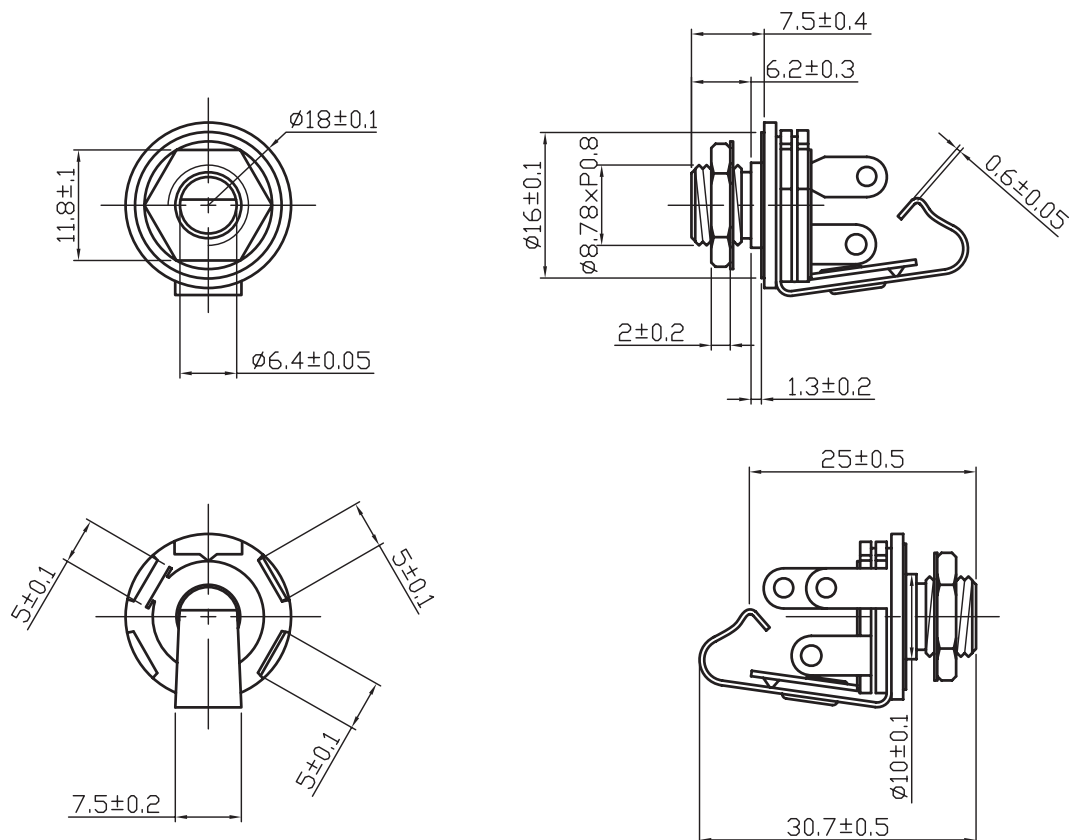


## Stereo Jack Series

KLS1-TG6.3-002A (Mono Jack)

### Technical parameters:

Contact resistance: 30mΩ, max  
Insulation resistance: 100MΩ min at DC 500V  
Dielectric Withstand voltage: AC 500V for one minute  
Operating Temperature:-30°C ~ 70°C



## ORDER INFORMATION

Product NO.: KLS1-TG6.3-002A

