

Stereo Jack Series

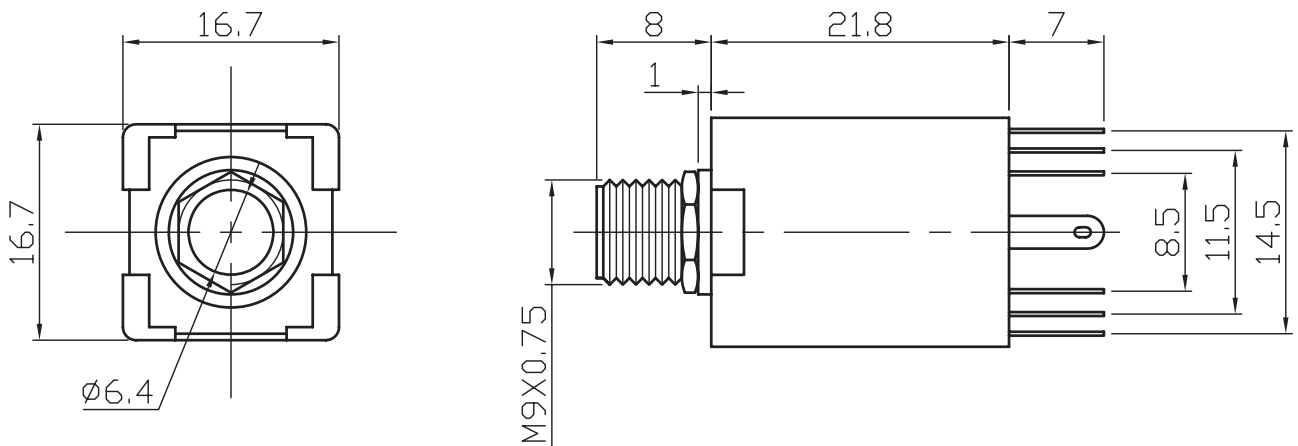
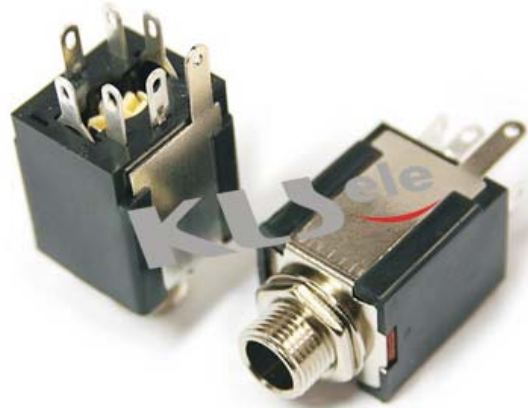
KLS1-TG6.3-005B (Stereo Jack Series)

Technical parameters:

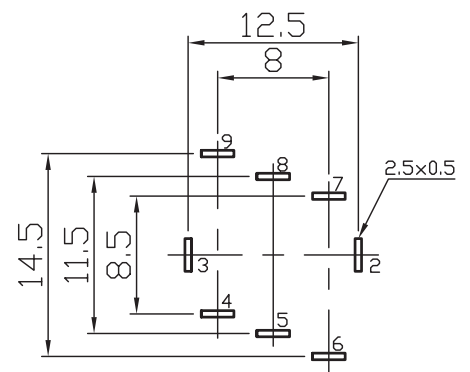
- Rated voltage: DC 30 V
- Rated current: 0.5 A
- Contact resistance: 0.03Ω, max
- Insulation resistance: 100MΩ, min
- Pressure: AC500V (50Hz) / 1minute
- Insertion Force :2-20 N
- Life: 50000 times
- Operating Temperature:-30°C ~ 70°C

Material:

- Washer: IRON
- Ring Spring: C5191
- Bushing-1 / Housing: ABS
- Nut / Bushing-2 / Shunt Terminal / Earth Terminal: C2680



TG6.3-005BA	TG6.3-005B	TG6.3-005BB	TG6.3-005BC	TG6.3-005BD	TG6.3-005BE	TG6.3-005BF



ORDER INFORMATION

Product NO.: KLS1-TG6.3-005BA

