



RCA JACK Series

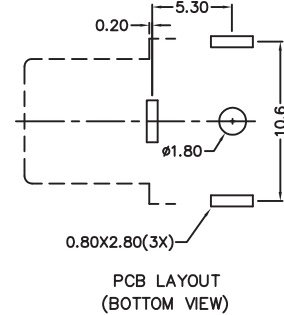
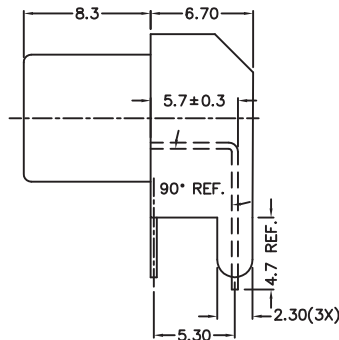
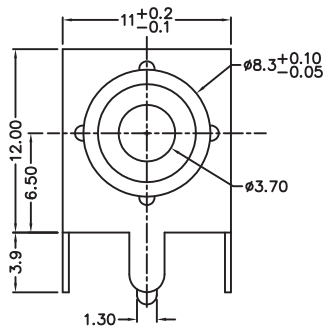
KLS1-RCA-111 Metal R/A PCB Mount RCA Jack

Electrical Specification:

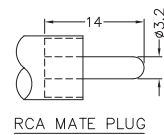
Contact resistance: 0.03Ω, max
 Insulation resistance: 100MΩ, min
 Rated Load: DC 50V 1A
 Withstand voltage: 500V AC / 1 minute/50Hz
 Insertion Force :5-40 N
 Life: 5000 times
 Operating Temperature : -25°C~+85°C

Materials:

Insulator : PBT UL94V-0
 Body : Steel
 Terminal : Brass



MODEL NO.	RCA-111
SCHEMATIC	



ORDER INFORMATION

Product NO.: KLS1-RCA-111-N-R

Pos. NO. _____
 RCA Jack Type _____
 G:Nickel Plated _____
 Color: R:Red
 B:Black
 Y:Yellow
 W:White
 G:Green
 L:Blue



RCA JACK Series

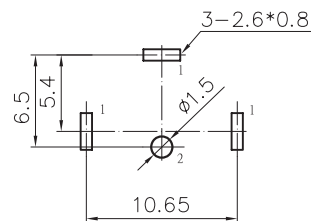
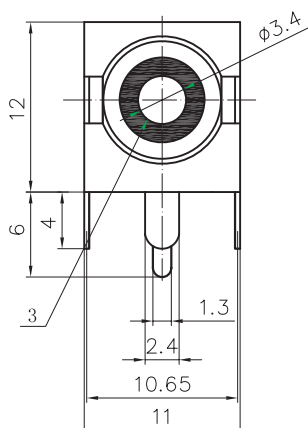
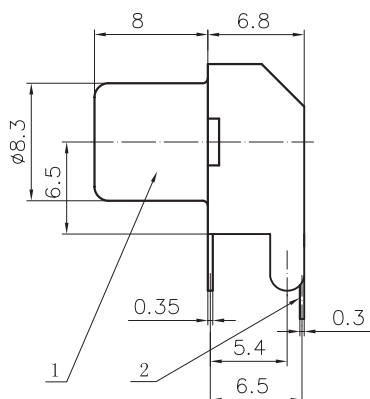
KLS1-RCA-111 Metal R/A PCB Mount RCA Jack

Electrical Specification:

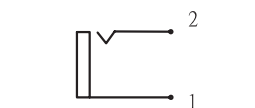
Contact resistance: 0.03Ω, max
 Insulation resistance: 100MΩ, min
 Rated Load: DC 50V 1A
 Withstand voltage: 500V AC / 1 minute/50Hz
 Insertion Force :5-40 N
 Life: 5000 times
 Operating Temperature : -25°C~+85°C

Materials:

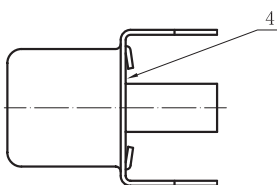
Insulator : PBT UL94V-0
 Body : Steel
 Terminal : Brass



PC installation size chart



electric schematic diagram



未注公差(±)								
尺寸等级	A级	B级 ✓	C级					
XX	0.12	0.15	0.2	4	Plastic core	1	ABS	Black
X	0.08	0.12	0.16	3	The color circle	1	ABS	Black
.X	0.05	0.09	0.12	2	Insert core	1	H62(t=0.3)	Cu/Ep. SnSb
.X	0.05	0.09	0.12	1	copper bush	1	H62(t=0.35)	Cu/Ep. CuSn
.XX	0.03	0.06	0.08	序号	名称	数量	材料	备注

ORDER INFORMATION

Product NO.: **KLS1-RCA-111-N-B**

Pos. NO. _____
 RCA Jack Type _____
 G:Nickel Plated _____
 Color: R:Red
 B:Black
 Y:Yellow
 W:White
 G:Green
 L:Blue