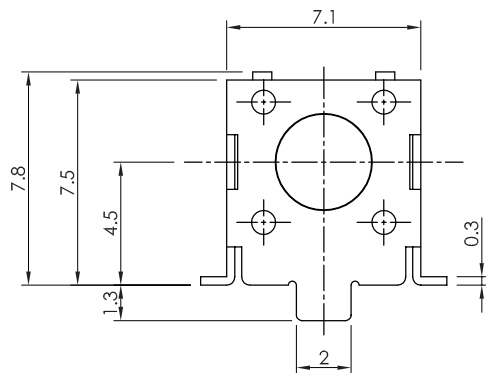


Tactile Switches

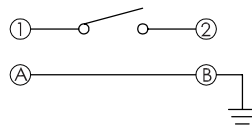
KLS7-TS1102A Tactile switch SMD

Specification:

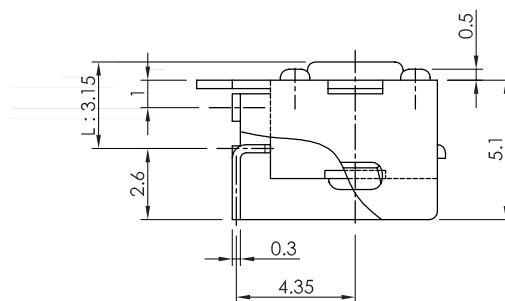
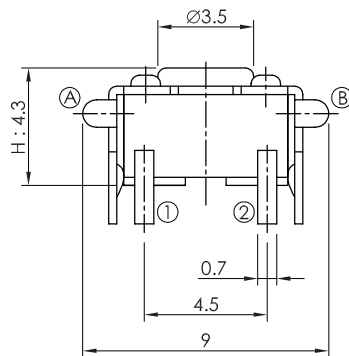
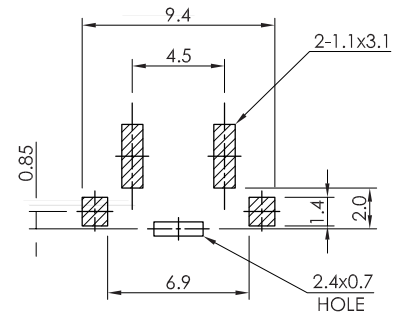
Rating:DC12V 50mA
 Travel:0.25±0.1mm
 Bounce time:≤5ms
 Contact Resistance:≤100mΩ
 Insulation resistance:≥100MΩat 250V DC
 Withstand voltage:250V AC for 1 minute
 Operating temperature range: -20°C~70°C
 Ambient humidity used:<85% RH
 Operating force:160±50gf



CIRCUIT DIAGRAM



SMD REFLOW PATTERN



ORDER INFORMATION

Product NO.:L-KLS7-TS1102A-4.3-160-T

Part Number

Height:4.3mm

T-SMD Tactile Switch

Operating Force :160gf