

Trimmer Potentiometer

KLS4-WH0812 Series

FEATURES

This specification applies to the variable resistors for electronic equipment Polyester substrate.

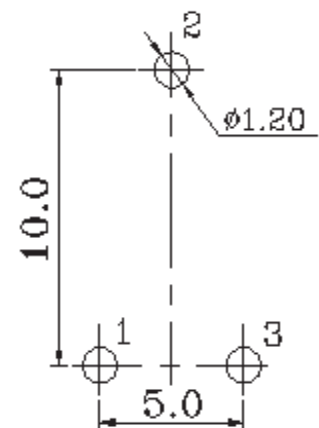
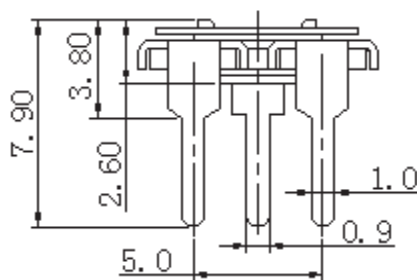
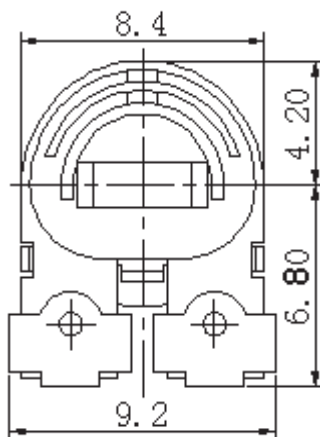
- *Long life model for low cost control pot applications
- *Since a variety of types are available, they can be used for a wide range of products
- *Special tapers
- *Low torque option

MECHANICAL SPECIFICATIONS

rotation angle: $260^\circ \pm 10^\circ$
rotation torque :4-35mN. M

ELECTRICAL SPECIFICATIONS

Range of nominal resistance: 1000Ω-2MΩ
Resistance taper: B
Resistance tolerance: $\pm 20\%$
Rotational noise: 5% R
Residual resistance: $R < 1\text{Kohm}$, Max 20ohm, $R \geq 1\text{Kohm}$, Max 2% R
Rated power: 0.0125 W
Max. Operating voltage: DC50V
Mechanical endurance: 500 cycles
Operating temperature: $-25^\circ\text{C} \sim +70^\circ\text{C}$



ORDER INFORMATION

Product No.: KLS4-WH0812 -103

Pos. No. _____

8mm Trimmer potentiometer Series _____

Value: 103- 10000Ω

Trimmer Potentiometer

KLS4-WH0811 Series

FEATURES

This specification applies to the variable resistors for electronic equipment Polyester substrate.

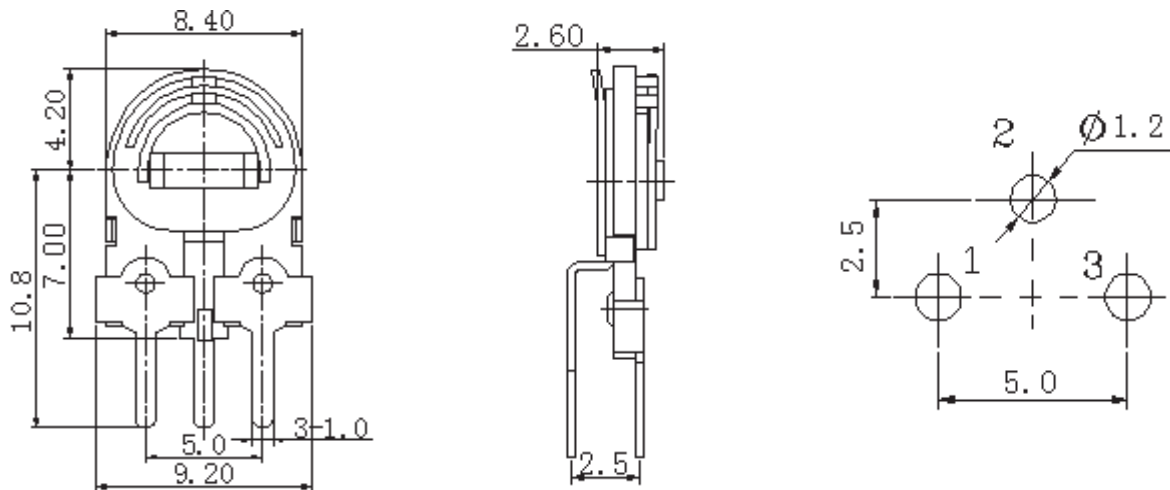
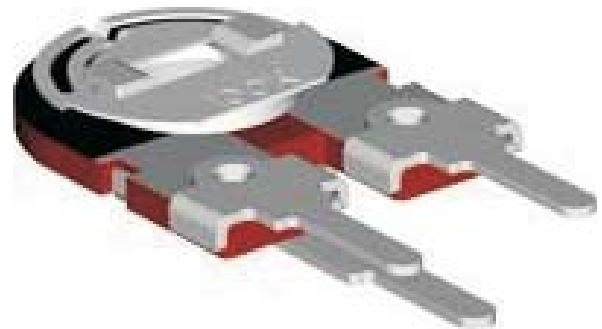
- *Long life model for low cost control pot applications
- *Since a variety of types are available, they can be used for a wide range of products
- *Special tapers
- *Low torque option

MECHANICAL SPECIFICATIONS

rotation angle: $260^\circ \pm 10^\circ$
rotation torque :4-35mN. M

ELECTRICAL SPECIFICATIONS

Range of nominal resistance: 1000Ω-2MΩ
Resistance taper: B
Resistance tolerance: $\pm 20\%$
Rotational noise: 5% R
Residual resistance: $R < 1\text{Kohm}$, Max 20ohm, $R \geq 1\text{Kohm}$, Max 2% R
Rated power: 0.0125 W
Max. Operating voltage: DC50V
Mechanical endurance: 500 cycles
Operating temperature: $-25^\circ\text{C} \sim +70^\circ\text{C}$



ORDER INFORMATION

Product No.: KLS4-WH0811 -103

Pos. No. _____
8mm Trimmer potentiometer Series _____ Value: 103- 10000Ω