

LED Indicator Light

KLS9-IL-M8-01A LED Indicator Light

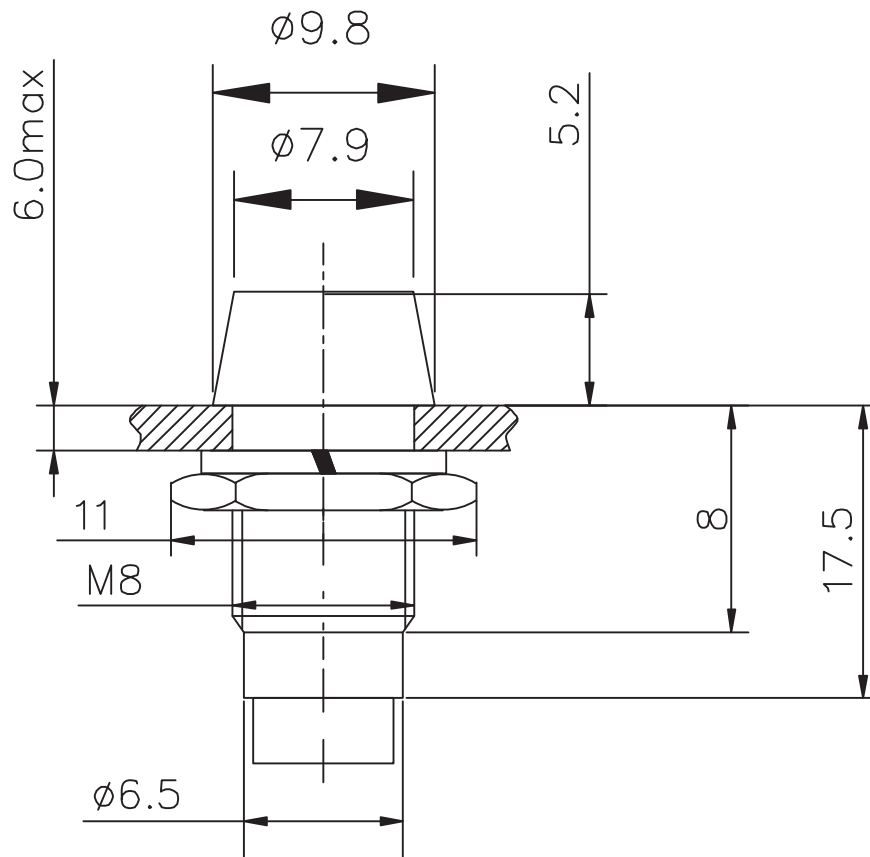
IX

Notes :

Mounting Hole: Φ 8mm
Chrome led holder convex

Material:

Insulator:ABS
Housing:chrome plated brass



ORDER INFORMATION

Product NO.: KLS9-IL-M8-01A-WD



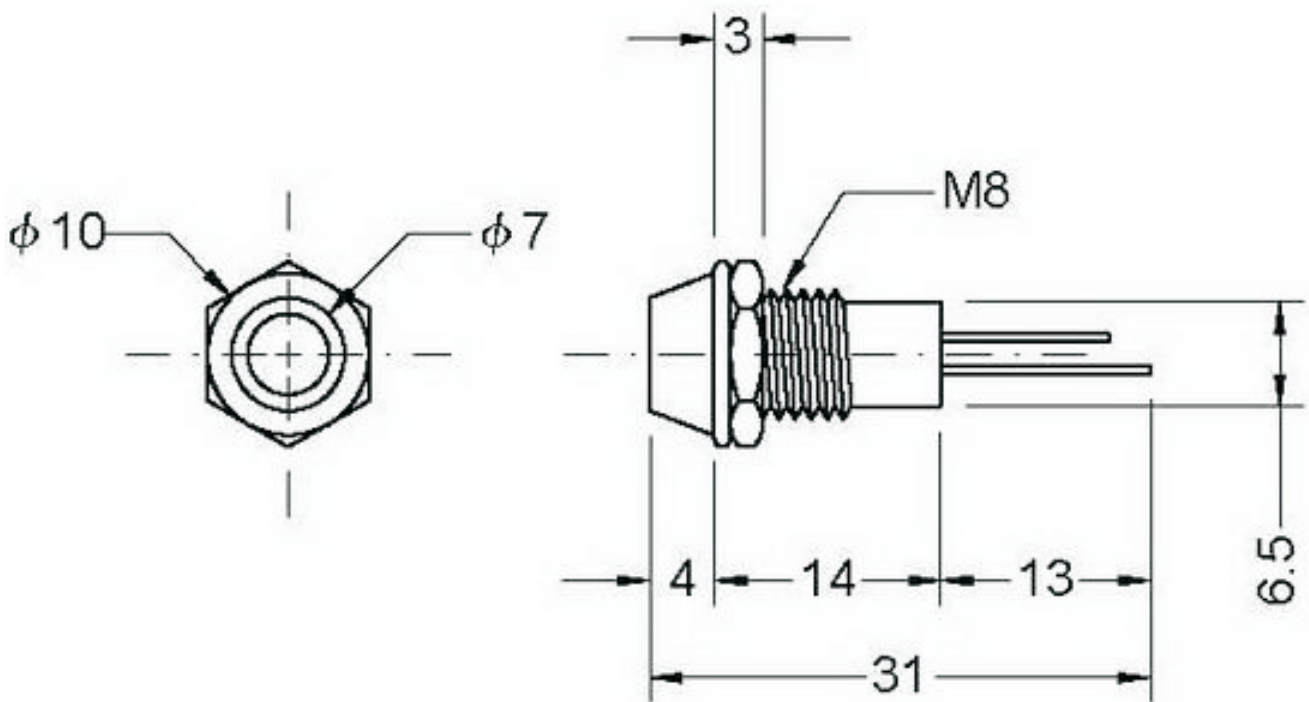
LED Indicator Light

KLS9-IL-M8-01A LED Indicator Light

IX

SPECIFICATION:

LED Indicator Light
LED INDICATOR LIGHT Φ 10mm
W O Resistor 2V DC
Mounting Hole: Φ 8mm



ORDER INFORMATION

Product NO.: KLS9-IL-M8-01A-R

