

**XLR CONNECTOR SERIES**

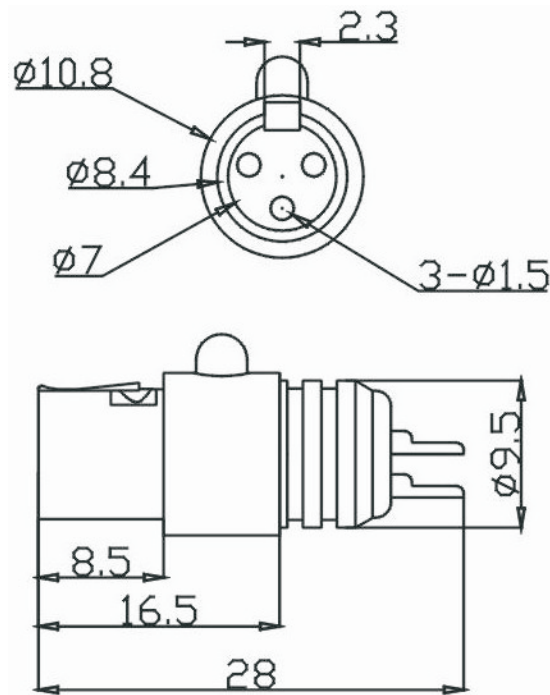
KLS1-XLR-P01 Mini XLR Plug&Socket

**Electrical Specification:**

Rated current / voltage: 3A 250VA  
The contact resistance: 5mΩMax  
Insulation Resistance: 500VDC 1000MΩmin  
The test voltage: 1000 VDC 1Min  
The ambient temperature: -30° C ~ 100° C  
The life of the product: 5000  
Diameter: Φ2 ~ Φ5mm

**Material:**

Contact material: gold-plated copper  
Insulator material: PA66,of PBT  
Connector Body Material: Metal



**ORDER INFORMATION**

Product NO.:KLS1-XLR-P01D-03

Pos. NO. \_\_\_\_\_  
XLR Jack series \_\_\_\_\_ 03=3PIN