



Patent: ZL 201120054292.9

Main Feature

1. Small size (28.2x23x29.4in mm) produces a switching capacity up to 30A for high density P.C.Board mounting technique.
2. The contact form construction is 1A
3. The Surge Resistance of BAL11 series is 10,000V
4. Sealing Construction (Free from dust and solder flux):
BAL11 -S: Plastic duct cover..
5. The selection of plastic insulation material is designed for high temperature and provides better chemical solution performance.
6. RoHS Compliant.

Application

Air Conditioning, Fridge, Washing Machine, etc Household Appliances

Contact Rating

- Nominal Load(Resistive Load Cos $\phi = 1$)
Contact Capacity
BAL11-LM/DM.....30A at 14VDC
15A at 28VDC
- Max. Allowable Current
BAL11-LM/DM.....30A
- Max. Allowable Voltage
BAL11- LM/DM..... DC28V
- Max. Allowable Power Force
BAL11-LM/DM.....420W
- Contact Material..... Ag Alloy
- Contact Form.....SPST

Performance (at Initial Value)

- Contact Resistance..... $\leq 50m\Omega$ at 6VDC/1A
- Operate Time.....10ms. Max
- Release Time..... 5ms. Max
- Dielectric Strength:
Between Coil & Contact.....700VAC at 50/60 Hz
for one minute
Between Contacts.....700VAC at 50/60 Hz
for one minute
- Surge Resistance.....10,000V (between Coil
& Contact 1.2x50 μs)

- Insulation Resistance..... 1,000 Mega Ω Min. at
500VDC
- Max. On/Off Switching:
Electrical.....30 Ops per minute
Mechanical.....300 Ops per minute
- Temperature Range..... - 40~85 $^{\circ}C$
- Humidity Range.....45~85% RH
- Coil Temperature Rise.....35 $^{\circ}C$ Maximum
- Vibration:
Endurance.....10 to 55 Hz dual
amplitude width 1.5mm
Error Operation.....10 to 55 Hz dual
amplitude width 1.5mm
- Shock:
Endurance..... 981m/s² Min
Error Operation..... 98.1m/s² Min
- Life Expectancy:
Electrical.....10⁵ Operations at
Rated Resistive
load
Mechanical.....10⁷ Operations at
No load condition
- Weight.....about 35g

Safety Standard & Its File Number

Pending

Coil Specification (at 20 °C)

Coil Sensitivity	Nominal Voltage (VDC)	Nominal Current (mA)	Coil Resistance ($\Omega \pm 8\%$)	Power Consumption (W)	Pull-In Voltage (VDC)	Drop-Out Voltage (VDC)	Maximum Allowable Voltage (VDC)
BAL11- LM	5	294	17	Abt. 1.44	75% Maximum	10% Minimum	130%
	6	240	25				
	9	160.7	56				
	12	120	100				
	24	60	400				
	48	30	1600				
BAL11- DM	5	357	14	Abt. 1.8	75% Maximum	10% Minimum	130%
	6	300	20				
	9	200	45				
	12	150	80				
	24	75	320				
	48	37.5	1480				

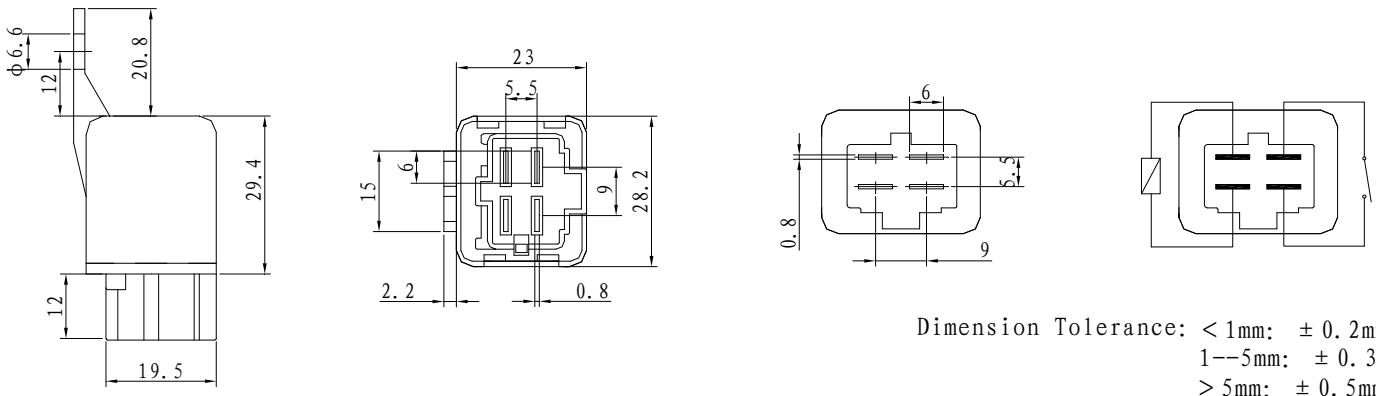
Ordering Information

BAL11	-	SS	-	1	12	D	M	
								Contact Form: M: One form A
								Coil Type: D: Standard DC Coil L: High Sensitivity DC Coil
								Coil Voltage: 03: 3V, 05: 5V, 06: 6V, 09: 9V 12: 12V, 24: 24V, 48: 48V
								Number of Pole: 1: One Pole
								Type of Sealing: SS: Plastic duct cover.
								Type: BAL11

Classification

Model	BAL11	
Coil Sensitivity	1A	
	Standard DC Coil	High Sensitivity DC Coil
Flow Solder Type	BAL11 -S-1□□DM	BAL11 -S-1□□LM

Dimension



Dimension Tolerance: < 1mm: $\pm 0.2\text{mm}$
 1--5mm: $\pm 0.3\text{mm}$
 > 5mm: $\pm 0.5\text{mm}$