	KLS23-B4260M	Output Power: 10W~50W	Weight: 290g (Approx.)
	Brushless DC Motor-Typical Application Home Application: White Goods, Small Appliance, Fanner, Coffee Machine, Meat Grinder Medical Apparatus: Medical Pump, Surgery Tools, Medical Stirrer, centrifugal Machine Power Tools: Screwdriver, Drill, Air Compressor Business Equipment: Printer, Copier, Projector, ATM, Vending Machine Personal Care: Hair Dryer, Massager, Vibrator		

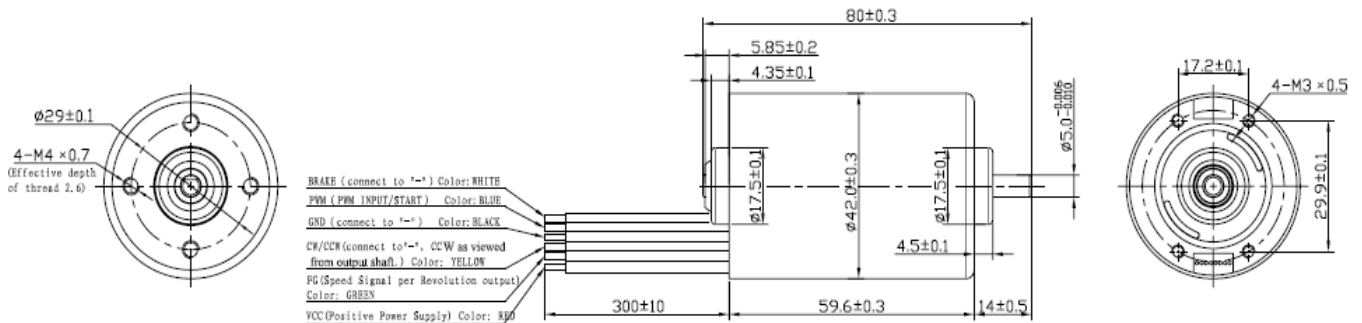
Model	Voltage(V)		No Load		Rated Load				Starting	
	Operating Range	Rated	Speed (rpm)	Current (A)	Torque (mNm)	Speed (rpm)	Current (A)	Output P. (W)	Torque (mNm)	Current (A)
B4260M-S01	8-26	12	4590	0.28	45.00	3500	1.88	16.54	190.2	7.04
B4260M-S02	8-26	24	4260	0.26	95.06	3270	1.85	32.58	409.2	7.10
B4260M-S03	8-26	24	7960	0.30	68.00	5920	2.48	42.19	265.4	8.00
B4260M-S04	85-265 ac	120 ac	9700	0.19	19.816	7930	0.368	16.45	96.5	1.04
B4260M-S05	85-265 ac	220 ac	10760	0.12	24.525	8500	0.247	21.85	116.8	0.72

Characteristic: CW & CCW, Signal function available, Locked rotor protection, Stepless speed regulation, Low noise, Low EMI, Long life 10000-50000hrs

Notice: Data in this typical specification sheet are for other certain customer. Voltage, rated torque, speed, current, power and shaft extension feature & dimension can be changed to meet customer specific requirement.

Outline Drawing : Usable machine screw length 6.0mm max from motor mounting surface

Unit: Millimeter



Performance Curve:

B4260M-S01

12V

B4260M-S03

24V

