

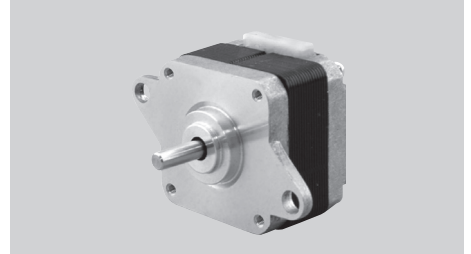


KLS ELECTRONIC CO.,LTD

KLS23-10HF SERIES 3.75°

Key Features

- High Speed
- High Acceleration
- Low Noise



General Specifications

- Bi-polar

Series & Length	Model Number	Holding Torque		Rated Current	Resistance per Phase	Inductance per Phase	Detent Torque		Rotor Inertia	
		mNm	oz-in	A	ohm	mH	mNm	oz-in	g.cm ²	oz-in ²
10HF3 18 mm (0.71 in.)	10HF3001	12	1.70	0.3	14	5.8	2.9	0.411	2	0.011
	10HF3002	12	1.70	0.6	3.6	1.6	2.9	0.411	2	0.011
10HF5 22 mm (0.87 in.)	10HF5001	19	2.69	0.3	18	10.7	3.9	0.553	3	0.016
	10HF5002	19	2.69	0.6	4.6	3	3.9	0.553	3	0.016
10HF7 18.5 mm (0.72 in.)	10HF7402-02	15	2.13	0.143	84	18	3	0.42	2	0.01

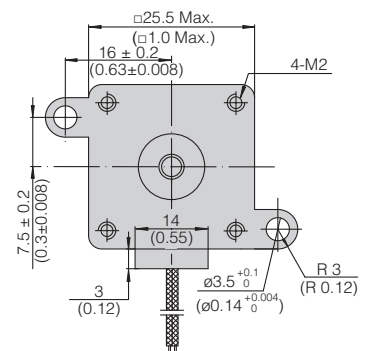
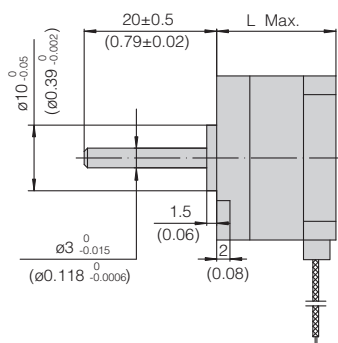
- Uni-polar

Series & Length	Model Number	Holding Torque		Rated Current	Resistance per Phase	Inductance per Phase	Detent Torque		Rotor Inertia	
		mNm	oz-in	A	ohm	mH	mNm	oz-in	g.cm ²	oz-in ²
10HF7 18.5 mm (0.72 in.)	10HF7602-03	9	1.28	0.2	42	4.5	3	0.42	2	0.01

- Wiring Connection, Lead Wires, Schematic Diagrams & Stepping Sequence.....Page 62 - 64

Mechanical Dimension

Series	L	Mass
	mm (in.)	kg (lb.)
10HF7	18.5 (0.72)	0.045 (0.10)



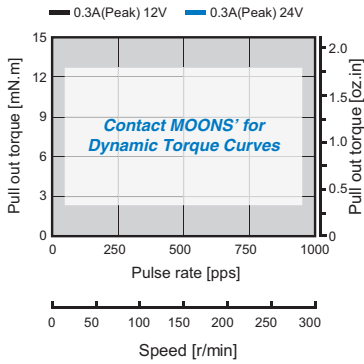
Unit: mm(inch)

Dynamic Torque Curves

- Bi-polar

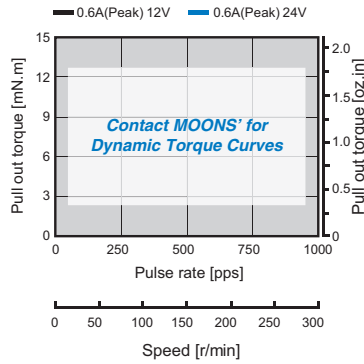
10HF3001

Conditions: Bi-polar Constant Current Driver
Driver: AMA MS3540M
Mode: Full Step



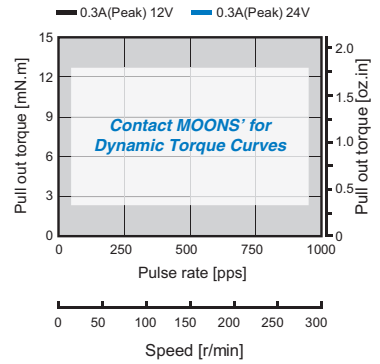
10HF3002

Conditions: Bi-polar Constant Current Driver
Driver: AMA MS3540M
Mode: Full Step



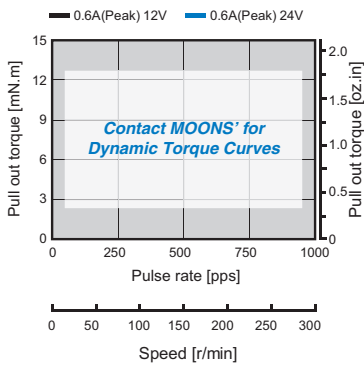
10HF5001

Conditions: Bi-polar Constant Current Driver
Driver: AMA MS3540M
Mode: Full Step



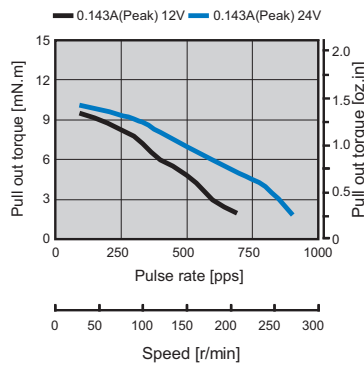
10HF5002

Conditions: Bi-polar Constant Current Driver
Driver: AMA MS3540M
Mode: Full Step



10HF7402-02

Conditions: Bi-polar Constant Current Driver
Driver: AMA MS3540M
Mode: Full Step



- Uni-polar

10HF7602-03

Conditions: Uni-polar Constant Current Driver
Driver: AMA MSU3040M
Mode: Full Step

