

## Tactile Switches

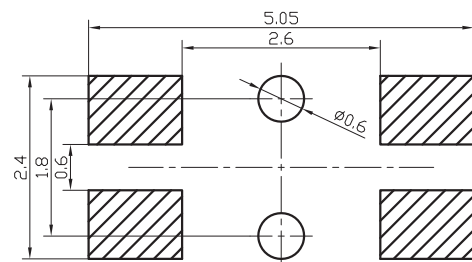
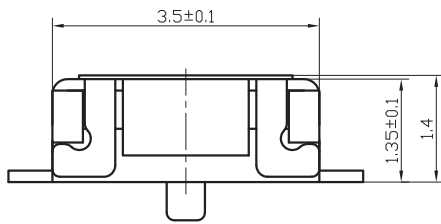
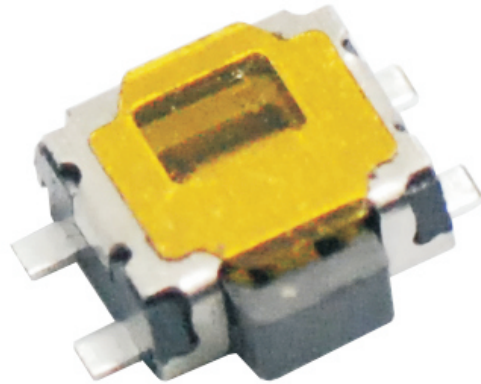
KLS7-TS5401 Four little turtle ( There is no column / column, general )

### Electrical:

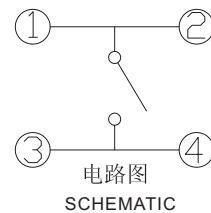
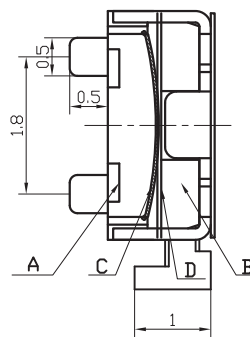
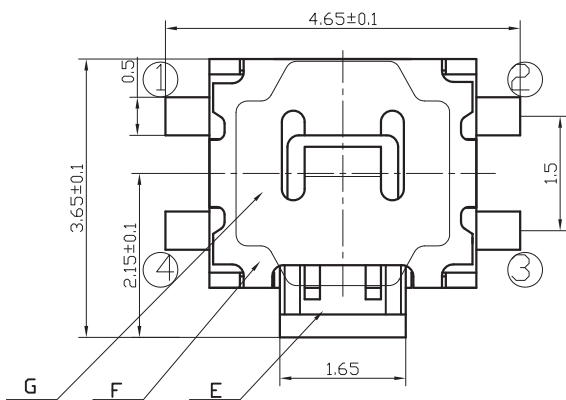
1. Rating: 50mA 12V DC
2. Contact Resistance: 100mΩ Max.
3. Insulation Resistance: 100MΩ Min, 100V DC
4. Dielectric voltage proof: 250V AC for 1min
5. Electrically Life: 100000 cycles Min.
6. Operating Force: 250±50gf
7. Environment temperature: -30°C~+70°C

### Materials:

- A. Cards: Copper
- B. Pedestal: LCP
- C. Shrapnel: Silver coated stainless steel
- D. Dust Film: 0.05
- E. Push button: PPA, Grey
- F. Cover: Stainless steel
- G. Dust Film: 0.05



安装参考图  
P.C.B layout



## ORDER INFORMATION

Product NO.: KLS7-TS5401-1.35-250-B

