

Tactile Switches

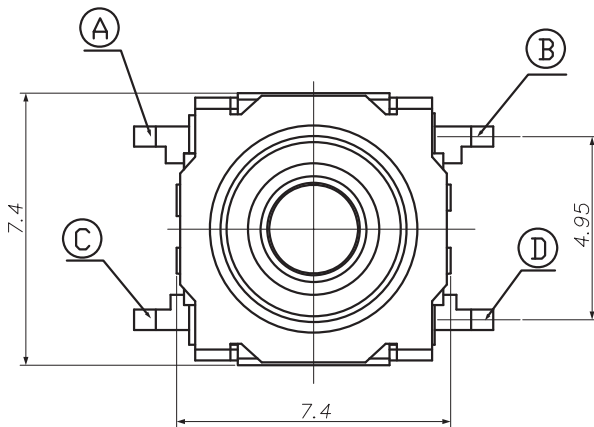
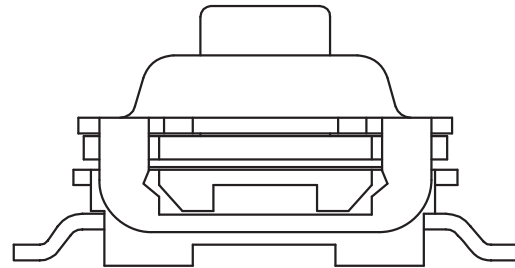
KLS7-TS7474 7.4x7.4mm Waterproof Tact Switch

Electrical:

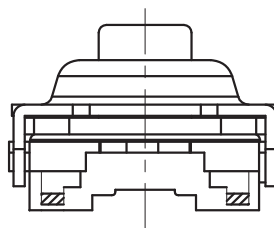
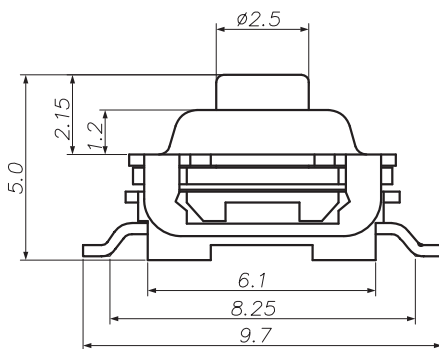
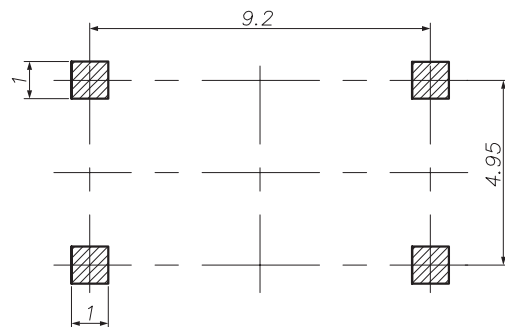
1. Rating: 50mA 12V DC
2. Travel: 0.35±0.1mm
3. Contact Resistance :50mΩ Max
4. Electrically Life: 100000 cycles Min.
5. Operating Force: 250±50gf
6. Environment temperature: -30°C~+80°C

Materials:

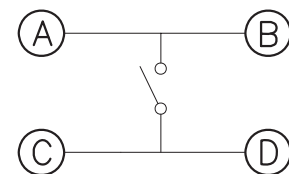
1. Terminal: Brass, silver-plated
2. Foundation: PPA, Black
3. Shrapnel: Silver - Copper
4. Button: Silica Gel, Red
5. Stretching Lap: Brass, copper, tin



印制线路板
Recommended P.C.B layout



电路简图
SCHEMATIC



ORDER INFORMATION

Product NO.: KLS7-TS7474-5-250-B

