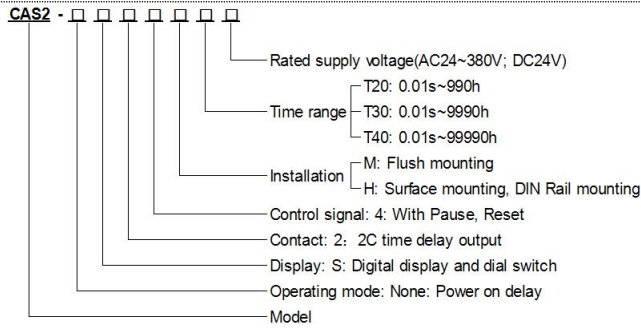


## Description



CAS2-□□□□□□□

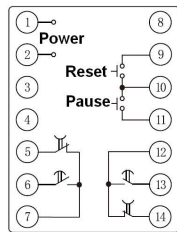


## Specification

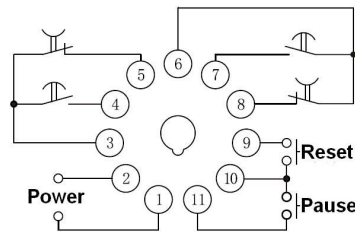
Model	CAS2-S24MT□□	CAS2-S24HT□□
Rated Supply Voltage	AC24V, 36V, 110V, 220V, 380V 50Hz, DC24V(Operating voltage fluctuation range: 85% to 110% Ue)	
Time range	0.01s~990h, 0.01s~9990h, 0.01s~99990h	
Repetitive error	The range of time delay > 1s, Er ≤ 1%, The range of time delay < 1S, Dr ≤ 50ms	
Operating mode	Power on delay	
Contact	2C time delay	
Rated Load of the Contact	3A AC220V(Resistive)	
Electrical Life	100000 operations min. (3 A at 250 VAC/30 VDC, resistive load)	
Ambient Temperature	-5℃~40℃	
Ambient Humidity	If the ambient temperature is 20℃, the RH ≤ 90%, if the ambient temperature is 40℃, the RH ≤ 50%.	
Altitude	≤ 2000m	
Installation	Flush mounting, Surface mounting, 35mm DIN Rail mounting	

## Wiring Diagram operation time sequence

CAS2 Flush mounting

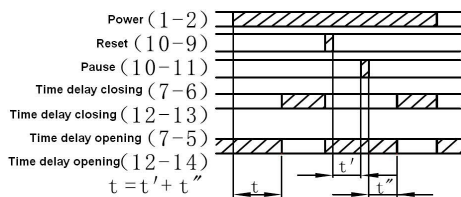


CAS2 Surface mounting

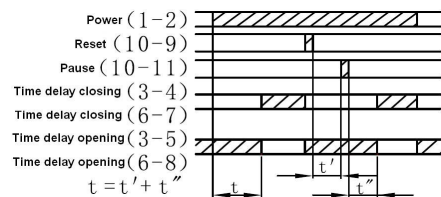


## Operation time sequence

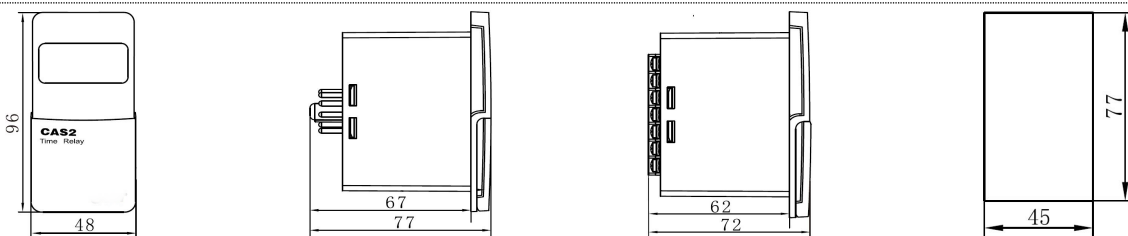
CAS2 Flush mounting



CAS2 Surface mounting

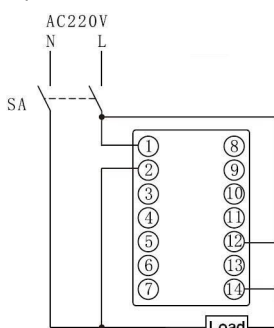


## Dimension(mm) and Installation(mm)

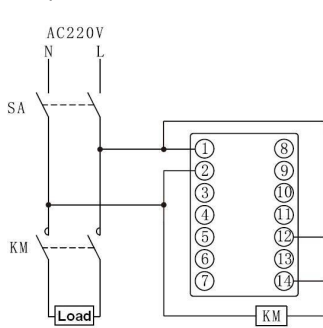


## Application(Samples as CAS2)

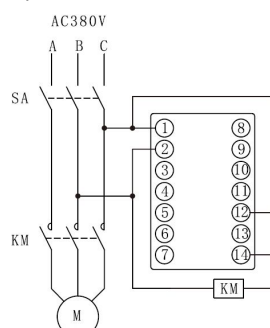
Samples01



Samples02



Samples03



Samples04

