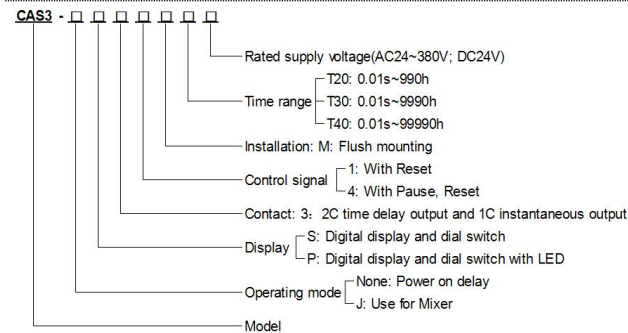


CAS3 Series Timer



Description

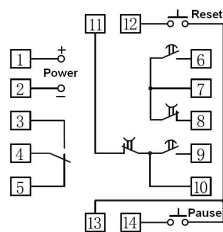


Specification

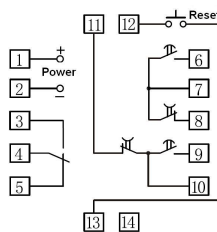
Model	CAS3-S34M□□	CAS3-P31M□□	CAS3-JS
Rated Supply Voltage	AC24V, 36V, 110V, 220V, 380V 50Hz, DC24V		3-phase AC380V
	Operating voltage fluctuation range: 85% to 110% Ue		
Time range	0.01s~990h, 0.01s~9990h, 0.01s~99990h, 1s~99s, 1s~999s, 1s~9999s		99.9s, 999s
Repetitive error	The range of time delay > 1s, Er ≤ 1%, The range of time delay < 1S, Dr ≤ 50ms		
Operating mode	Power on delay		
Contact	2C time delay and 1C instantaneous		/
Rated Load of the Contact	3A AC220V(Resistive)		The current of the motor < 5A
Electrical Life	100000 operations min. (3 A at 250 VAC/30 VDC, resistive load)		
Ambient Temperature	-5°C~40°C		
Ambient Humidity	If the ambient temperature is 20°C, the RH ≤ 90%, if the ambient temperature is 40°C, the RH ≤ 50%.		
Altitude	≤ 2000m		
Installation	Flush mounting		

Wiring Diagram operation time sequence

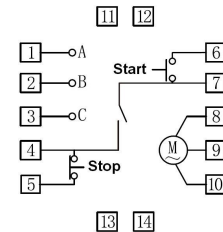
CAS3-S34M□□



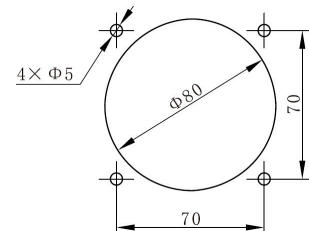
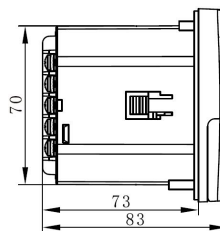
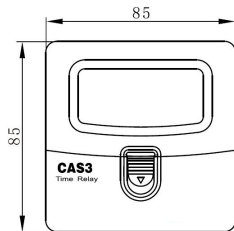
CAS3-P31M□□



CAS3-JS

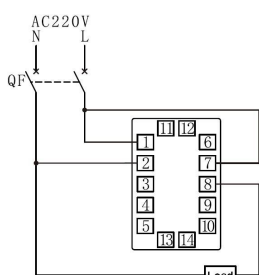


Dimension(mm) and Installation(mm)

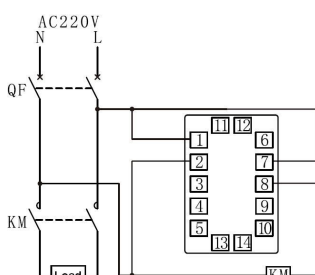


Application(Samples as CAS3-S34MT40)

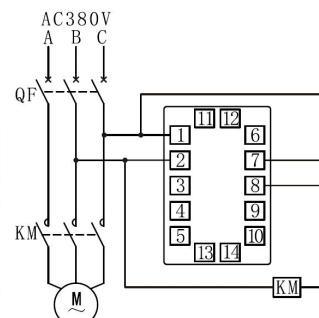
Samples01



Samples02



Samples03



Samples04

