

Proximity sensor

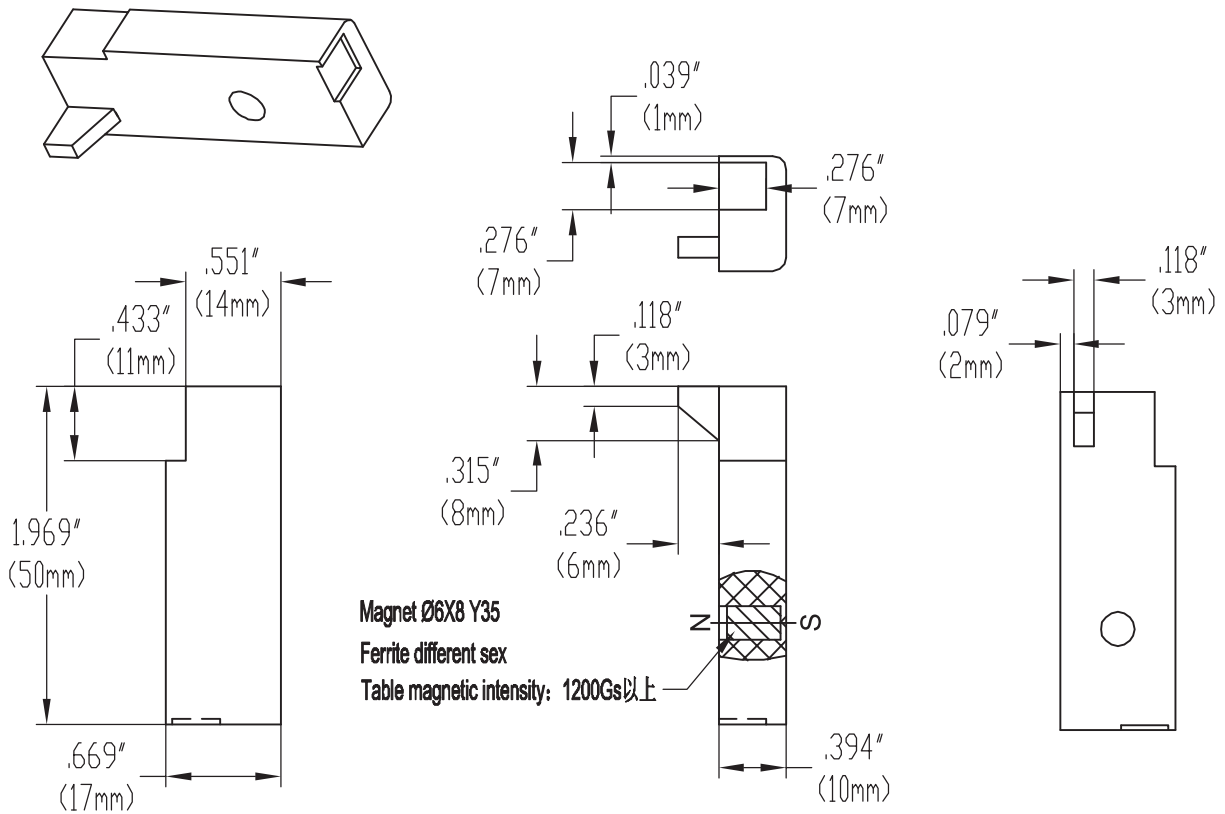
KLS26-MR-DCD-01 The dishwasher distributor sensors

Electrical Specification:

- Max contact rating:10W
- Max switch voltage:100V
- Max switch current:0.5A
- Max contact resistance:100 mΩ
- Min insulation resistance:10¹⁰ Ω
- Electrical life:1*10⁷(5Vdc,10mA)
- Min shock:30G
- Min vibration:30G(10~50Hz)
- Temp rating:-10°C~+60°C
- Heat shock:-20°C~+70°C



Unit: mm DIM Tolerance: ±0.2



ORDER INFORMATION

Product NO.: KLS26-MR-DCD-01-022

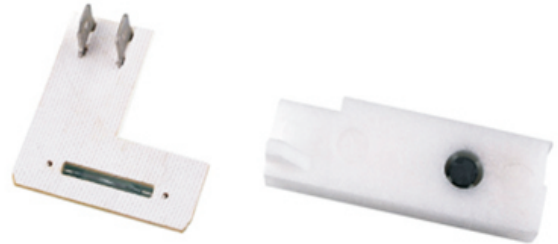


Proximity sensor

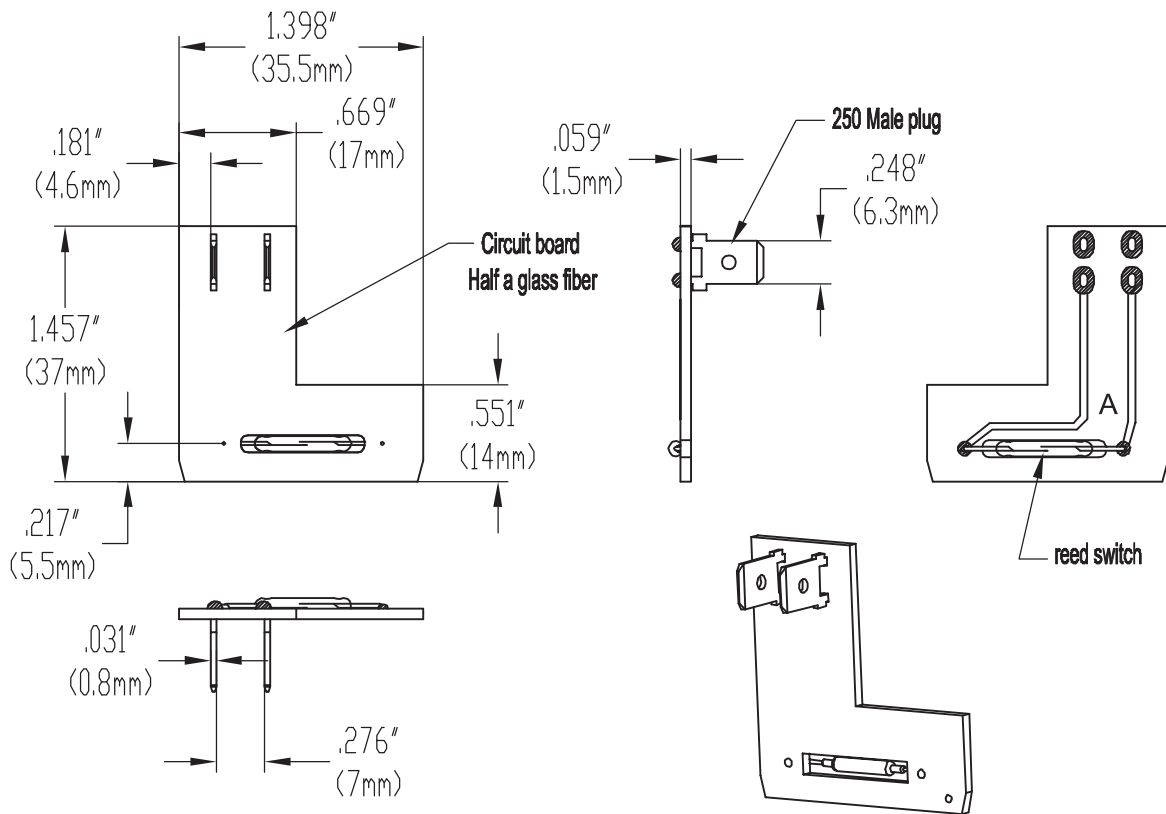
KLS26-MR-DCD-01 The dishwasher distributor sensors

Electrical Specification:

- Max contact rating:10W
- Max switch voltage:100V
- Max switch current:0.5A
- Max contact resistance:100 mΩ
- Min insulation resistance:10¹⁰ Ω
- Electrical life:1*10⁷(5Vdc,10mA)
- Min shock:30G
- Min vibration:30G(10~50Hz)
- Temp rating:-10°C~+60°C
- Heat shock:-20°C~+70°C



Unit: mm DIM Tolerance: ±0.3



ORDER INFORMATION

Product NO.: KLS26-MR-DCD-01-021

