

Mini Din Connectors* Din Connectors

KLS1-DS-2-02A DS Terminal Series

Material:

Base:PBT UL 94V-0

Contact:H62 Brass

Environmental:

Operating Temperature:-22 C ~ + 70 C

Electrical:

Rated Load:2A 100V AC

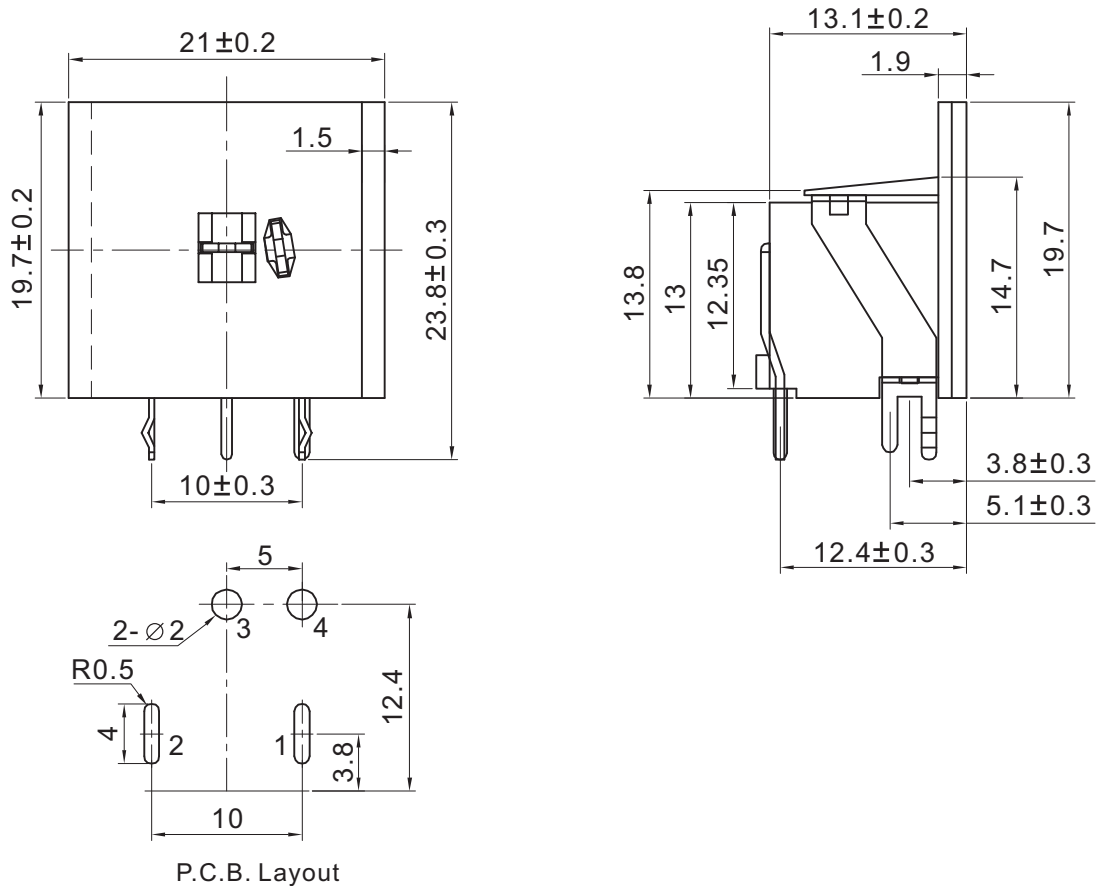
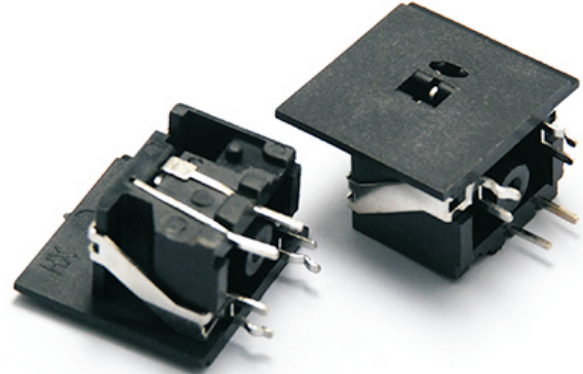
Dielectric Withstanding:AC500V(50Hz)/min

Insulation Resistance: $\geq 100\text{M}\Omega$

CONTACT RESISTANCE: $\leq 30\text{m}\Omega$

Insertion and Extraction Force:10-50N

Life:5000



ORDER INFORMATION

Product NO.: KLS1-DS-2-02A

