

# INDUCTORS

## Common Mode Chokes ET Series

**Features:**

- . Line filters suppressing conductive noise ranging from low to high frequencies generated at power supply circuits of the various electronic equipment.
- . High safety and reliability .
- . Closed magnetic circuit.
- . Easy PC board mounting.
- . Customer's specifications are welcome.

**Applications:**

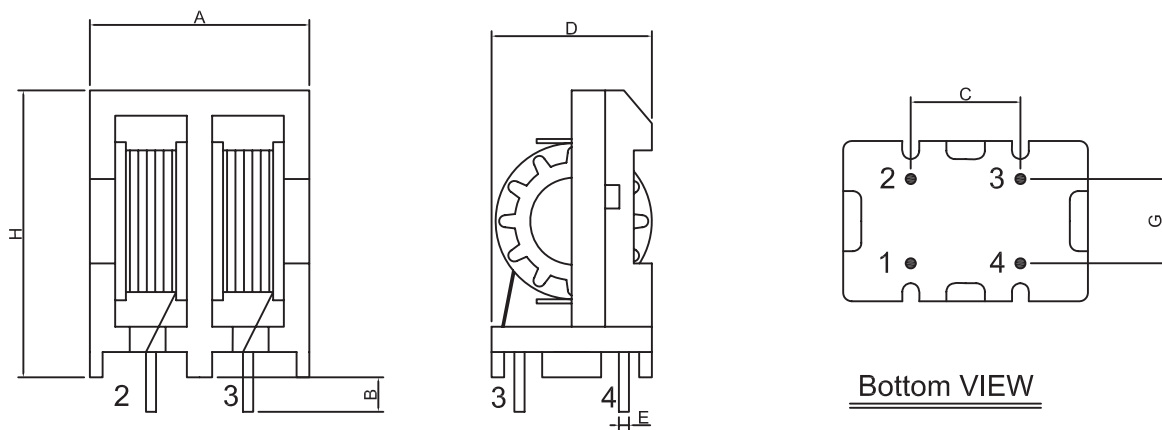
- . EMC suppressors.
- . AC line filter

**Test equipment and test setup:**

- . HP4284A PRECISION LCR METER
- . CHEN HWA 502BC OHM METER
- . 7142 AC/DC withstand/insulation tester.



Dimension: Unit: mm



| ITEM | A(Max.) | B±1.0 | C±0.5 | D(Max.) | E±0.05 | G±0.5 | H(Max.) |
|------|---------|-------|-------|---------|--------|-------|---------|
| ET24 | 26.0    | 4.0   | 13.0  | 19.0    | 0.80   | 10.0  | 31.5    |
| ET28 | 30.5    | 4.0   | 13.0  | 22.0    | 0.80   | 10.0  | 36.0    |
| ET35 | 37.0    | 4.0   | 21.0  | 26.0    | 1.20   | 15.0  | 45.0    |

## ORDER INFORMATION

KLS18 - ET24 -103 Y - 1.3A

ET24: Skeleton core code  
103 : Inductance Code  
1.3A: Rated current Max.

# INDUCTORS

## Common Mode Chokes ET Series

| PART NO.       | L (mH)<br>@ 1kHz Min. | DCR (Ω)<br>MAX | Rated<br>current(A) Max. |
|----------------|-----------------------|----------------|--------------------------|
| ET24-242Y-2.5A | 2.4                   | 0.090          | 2.5                      |
| ET24-332Y-2A   | 3.3                   | 0.110          | 2.0                      |
| ET24-392Y-1.8A | 3.9                   | 0.150          | 1.8                      |
| ET24-452Y-1.5A | 4.5                   | 0.190          | 1.5                      |
| ET24-103Y-1.2A | 10.0                  | 0.380          | 1.2                      |
| ET24-203Y-1A   | 20.0                  | 0.640          | 1.0                      |
| ET24-253Y-0.8A | 25.0                  | 0.880          | 0.8                      |
| ET24-333Y-0.6A | 33.0                  | 1.200          | 0.6                      |
| ET24-453Y-0.5A | 45.0                  | 1.650          | 0.5                      |
| ET24-683Y-0.4A | 68.0                  | 2.300          | 0.4                      |
|                |                       |                |                          |
| PART NO.       | L (mH)<br>@ 1kHz Min. | DCR (Ω)<br>MAX | Rated<br>current(A) Max. |
| ET28-182Y-4A   | 1.8                   | 0.05           | 4.0                      |
| ET28-332Y-3A   | 3.3                   | 0.088          | 3.0                      |
| ET28-472Y-2.8A | 4.7                   | 0.1            | 2.8                      |
| ET28-562Y-2.5A | 5.6                   | 0.13           | 2.5                      |
| ET28-802Y-2A   | 8                     | 0.18           | 2.0                      |
| ET28-123Y-1.8A | 12                    | 0.27           | 1.8                      |
| ET28-203Y-1.5A | 20                    | 0.41           | 1.5                      |
| ET28-253Y-1.2A | 25                    | 0.56           | 1.2                      |
| ET28-353Y-1A   | 35                    | 0.78           | 1.0                      |
|                |                       |                |                          |
| PART NO.       | L (mH)<br>@ 1kHz Min. | DCR (Ω)<br>MAX | Rated<br>current(A) Max. |
| ET35-472Y-4A   | 4.7                   | 0.062          | 4.0                      |
| ET35-562Y-3A   | 5.6                   | 0.077          | 3.5                      |
| ET35-822Y-3A   | 8.2                   | 0.105          | 3.0                      |
| ET35-103Y-2.7A | 10                    | 0.14           | 2.7                      |
| ET35-123Y-2.5A | 12                    | 0.17           | 2.5                      |
| ET35-153Y-2.2A | 15                    | 0.21           | 2.2                      |
| ET35-183Y-2A   | 18                    | 0.23           | 2.0                      |
| ET35-223Y-1.8A | 22                    | 0.29           | 1.8                      |
| ET35-333Y-1.5A | 33                    | 0.42           | 1.5                      |