

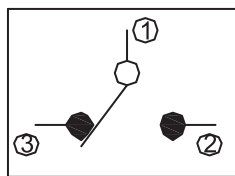
## Push Button Switches

### KLS7-MPS-1CO-A2 Momentary Pushbutton Switch

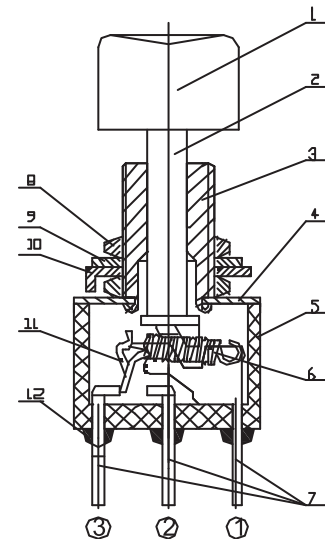
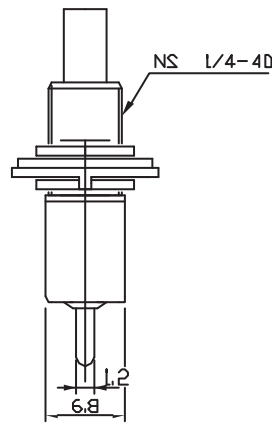
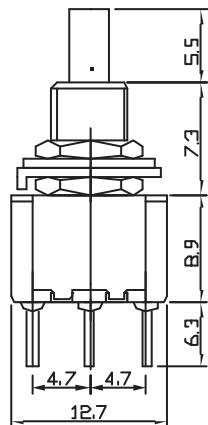
NO.	Parts Name	The Parts Of Material	Plating	RoHS
1	Button	PA46	-----	RoHS
2	Pole	PA46	-----	RoHS
3	Bushing	Brass	Plate Nickel	RoHS
4	Steel crust	Stainless Steel	-----	RoHS
5	Housing	Bakelite	-----	RoHS
6	Spring	Steel w ire	-----	RoHS
7	Terminals	Brass	Plate Silver	RoHS
8	Nuts	Brass	Plate Nickel	RoHS
9	Zigzag Washer	Stainless Steel	-----	RoHS
10	Fix Washer	Stainless Steel	-----	RoHS
11	Movable Plate	Brass	Plate Silver	RoHS
12	Epoxy Seal	5010A/B	-----	RoHS

#### Specification:

Rating: 1A 250V AC; 3A 125V AC  
 Contact resistance: 20mΩ Max  
 Insulation resistance: DC500V 1000MΩ Min.  
 Withstanding Voltage: AC1000V/1Min  
 Electrical life: 10000 Cycles  
 Operating Temperature: -25°C~+85°



Circuit Diagram



## ORDER INFORMATION

**L-KLS7-MPS-1CO-A2**

Part Number

Switching position

Function