

Pluggable MCS Terminal Blocks

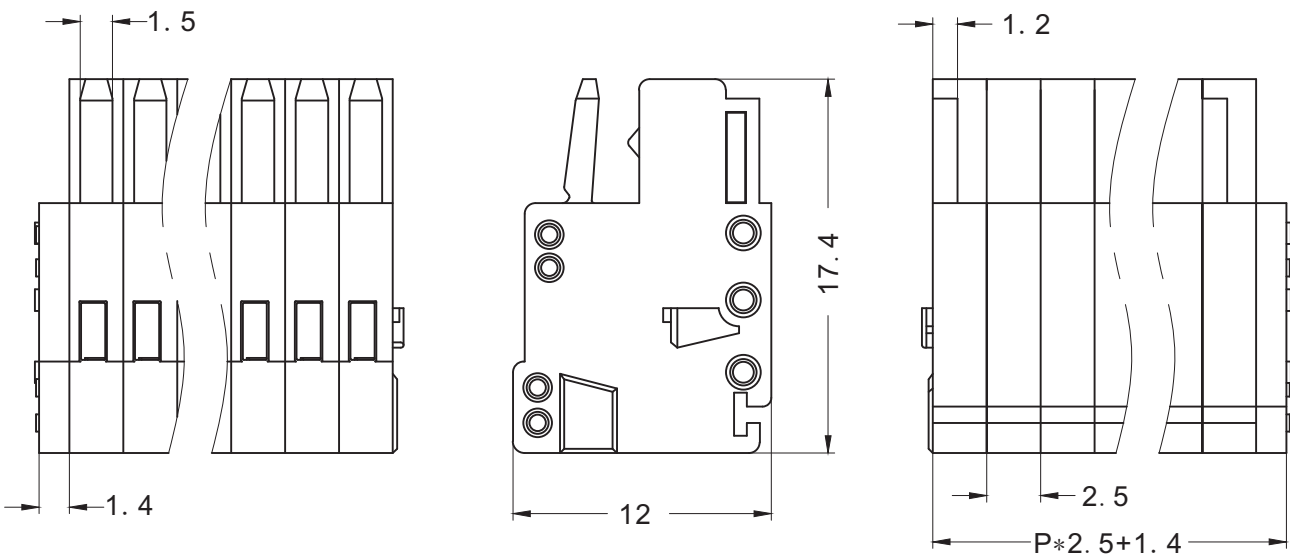
KLS2-MPK-2.50 Series Pitch=2.5mm Female connectors

Material:

Insulating material:PA66
Insulation material:UL94 V-0 or V-2
Current carrier material:Copper
Plated:Tin plated

Electrical:

Rated voltage:250V
Rated current:4A
Wire range:0.2-0.5 MM²
Rated impulse withstand voltage:2KV



(P=Poles count)

ORDER INFORMATION

Product NO.: KLS2-MPK-2.50-04-1

Pos. NO. _____

Series No. _____

Number of Pole(2~12) _____

Color: 1=Gray 2=Blue 3=Black
4=Green 5=Orange 6=Red
7=Transparent 8=Yellow 9=White