

## Mini Din Connectors\* Din Connectors

### KLS1-DS-5-07A DS Terminal Series

**Material:**

Base:PBT UL 94V-0

Contact:H62 Brass

**Environmental:**

Operating Temperature:-25 C ~ + 70 C

**Electrical:**

Rated Load:2A 100V AC

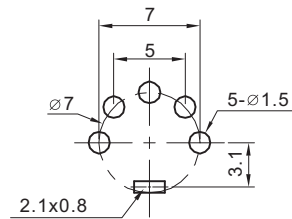
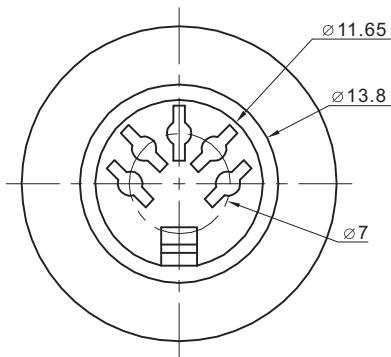
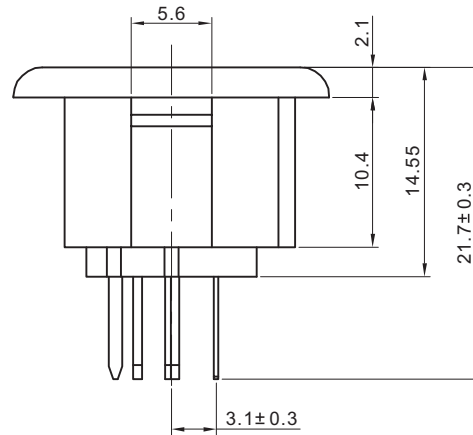
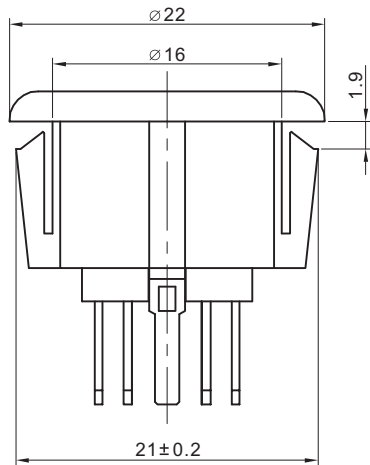
Dielectric Withstanding:500V AC(50Hz)/1min

Insulation Resistance:≥100MΩ

Contact Resistance:≤30mΩ

Insertion and Extraction Force:10-50N

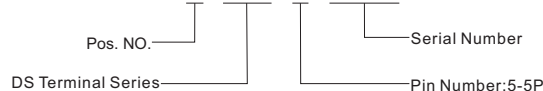
Life:≥5000



P.C.B LAYOUT

## ORDER INFORMATION

Product NO.: KLS1-DS-5-07A



## Mini Din Connectors\* Din Connectors

KLS1-DS-8-07A DS Terminal Series

**Material:**

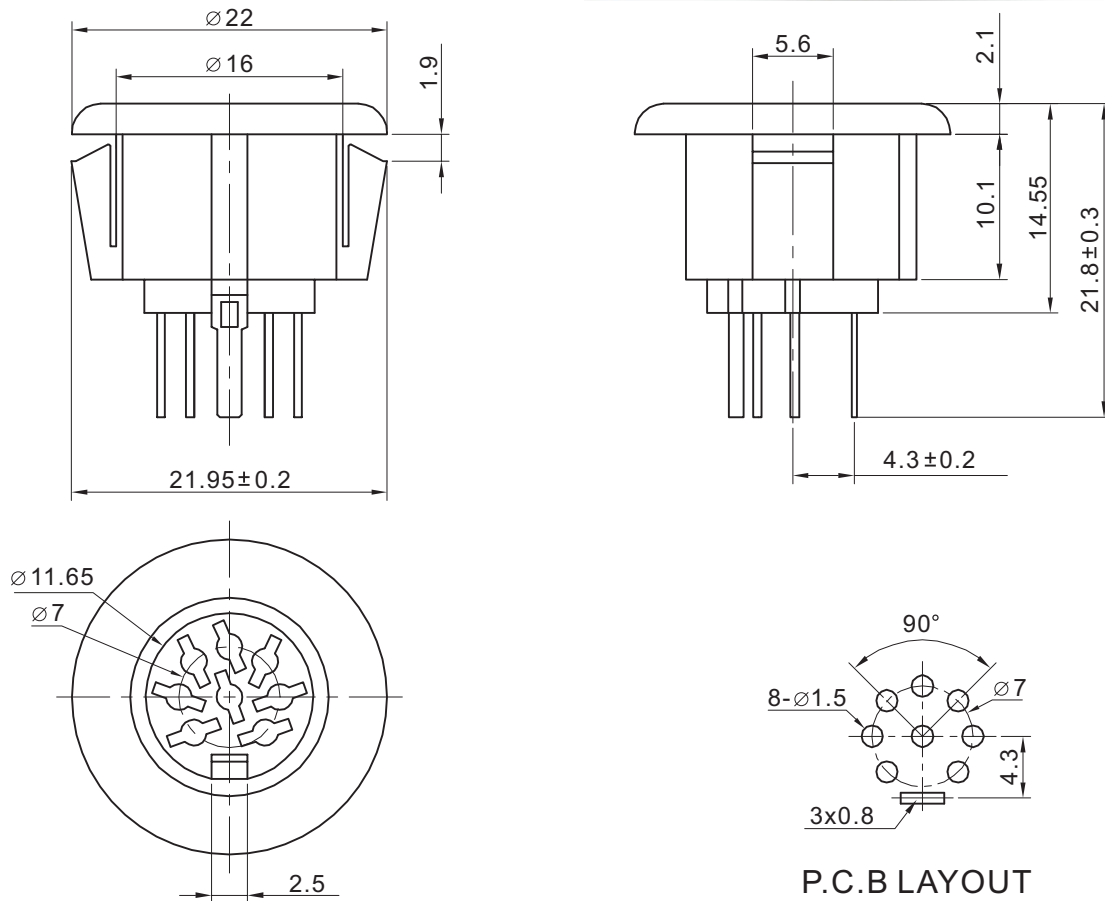
Base:ABS  
Contact:H62 Brass

**Environmental:**

Operating Temperature:-25 C ~ + 70 C

**Electrical:**

Rated Load:2A 100V AC  
Dielectric Withstanding:500V AC(50Hz)/1min  
Insulation Resistance:≥100MΩ  
Contact Resistance:≤30mΩ  
Insertion and Extraction Force:10-50N  
Life:≥5000



## ORDER INFORMATION

Product NO.: KLS1-DS-8-07A

