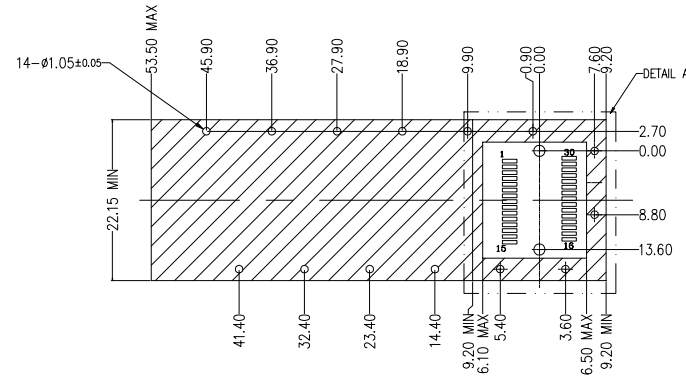
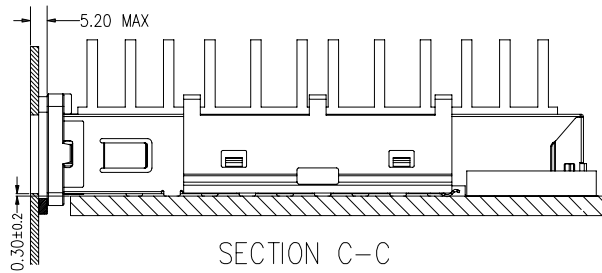
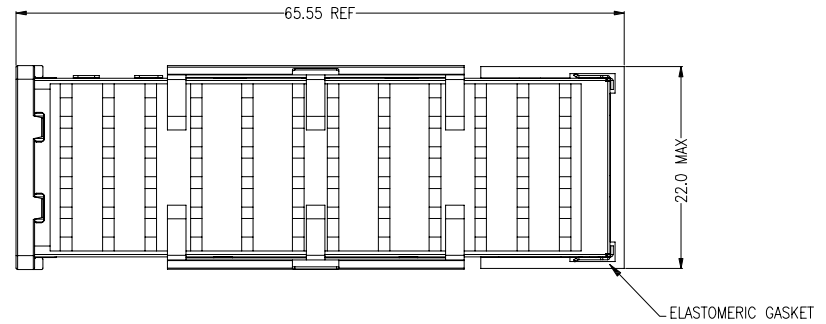
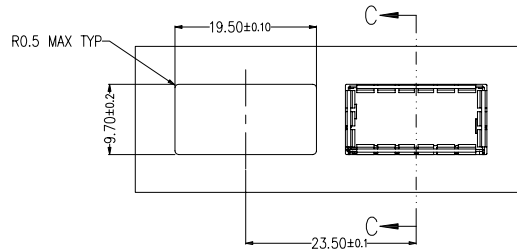
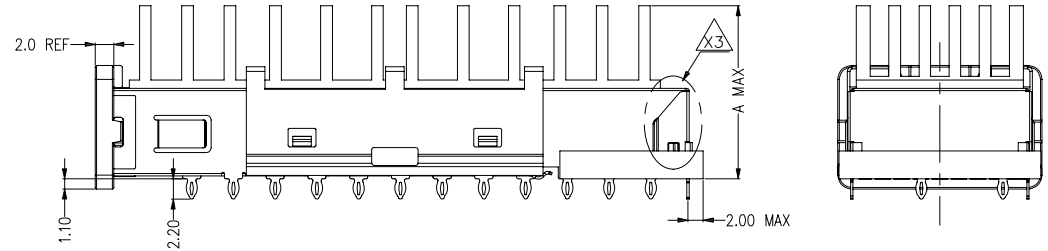
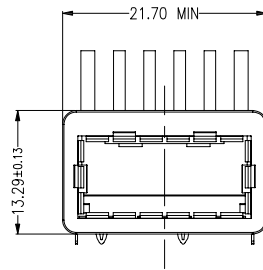
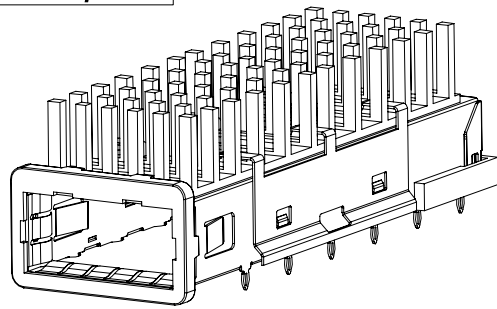


RoHS Compliant



NOTE:

MATERIAL:

1. XFP CAGE: COPPER ALLOY C7701 T=0.25mm.
2. ELASTOMERIC GASKET: CONDUCTIVE RUBBER.
3. XFP CAGE REAR EMI GASKET: CONDUCTIVE FOAM.
4. FRONT FLANGE: ZINC ALLOY.
5. FRONT EMI GASKET: COPPER ALLOY.
6. XFP HEAT SINK CLIP: COPPER ALLOY C7701 T=0.25mm.
7. XFP HEAT SINK: ALUMINUM, ANODIZED BLACK

PLATED:

1. FRONT FLANGE : TIN OVER NICKEL AND COPPER FLASH
2. FRONT EMI GASKET: 1.27 MICROMETERS MINIMUM MATTE TIN OVER 1.27 MICROMETERS MINIMUM NICKEL FOR ALL.

MECHANICAL REQUIREMENT:

1. DURABILITY: 100 CYCLES MIN.
2. INSERTION AND EXTRACTION FORCE: 40N MAX & 30N MAX

C	18.65
B	15.15
A	12.85
Part Number	Dimension A

GENERAL TOLERANCE	ANGLE TOLERANCE	PROJECTION	⊕	Description:
X. ±0.60	X. ±5°	UNITS	mm	XFP Cage 1x1 Press-fit Connector
.X ±0.38	.X ±3°	SHEET SIZE	A4	
.XX ±0.25	.XX ±2°	P/N: KLS12-XFP-02X		

Draw by: Date 2016-07-01

Check by: Date 2016-07-01

SCALE SHEET OF

KLS ELECTRONIC CO., LTD.