

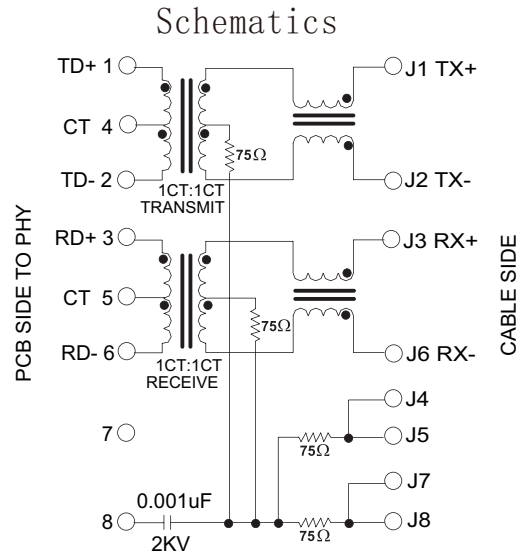
**Modular Jack with Transformer**



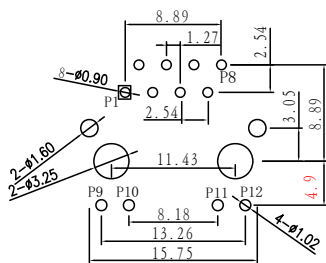
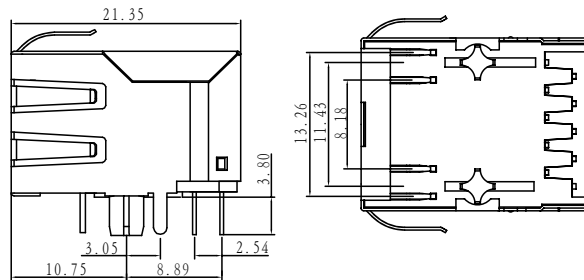
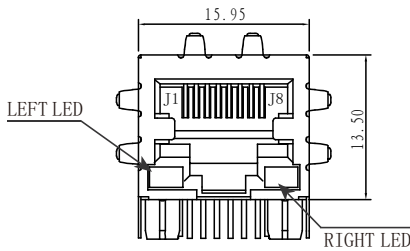
**KLS12-TL058 1x1 Fast RJ45 Connector with Transformer and LEDs**

ELECTRICAL SPECIFICATIONS @ 25°C unless otherwise noted:

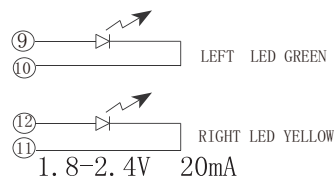
- Turn Ratio(+/-2%):  
TX=1CT :1CT RX=1CT:1CT
- Inductance OCL:  
350uH Min @100KHz/0.1V ,8mA DC Bias
- Insertion Loss:  
-1.0dB Max @1.0-100MHz
- Return Loss:  
-20dB Min @1-10MHz  
-16dB Min @10-30MHz  
-12dB Min @30-60MHz  
-10dB Min @60-100MHz
- Cross talk:  
-40dB Min @1-30MHz  
-35dB Min @30-60MHz  
-30dB Min @60-100MHz
- Common Mode Rejection:  
-30dB Min @1-50MHz  
-20dB Min @50-150MHz
- HIPOT TEST :1500V AC 1mA 6S
- OPERA TING TEMPERA TURE RANGE:0-70°C



**Mechanical**



P.C.B. RECOMMENDED HOLE LAYOUT SEEN FROM COMPONENT SIDE.  
ALL CENTERLINE DIMENSIONS ARE BASIC



**Connect Material:**

Housing:Thermoplastic, PBT, UL 94V-0, Black  
Contact/Shield:Cooper alloy  
Shield Plating:Nickel  
Contact Plating:Selective gold 6u" Min

**ORDER INFORMATION**

**KLS12-TL058 - 1x1 - G/Y - 03**

