
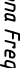
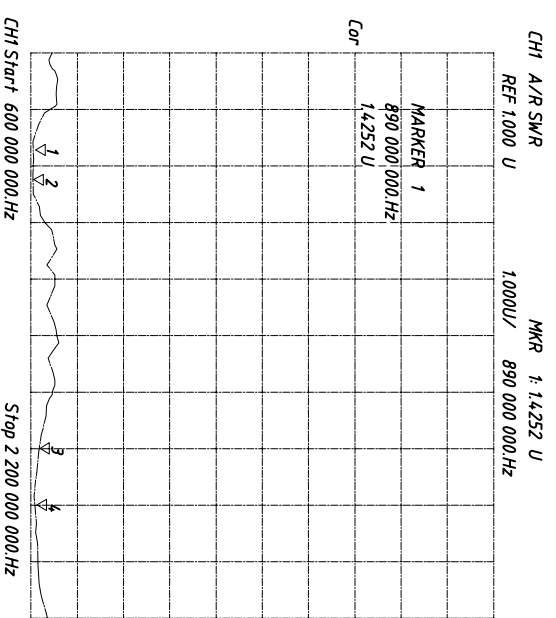




*Order Information*

L-KLS1- GSM18 010 3000  
 RoHS   
 Antenna Frequency :   
 GSM: 890 960/1710 ~1880MHz  
 Con. Code: 010: Standard SMA Connector  
 3000: Cable Lenghts

*Specification:*  
 Frequency : 890 ~960/1710 ~1880MHz  
 Gain : 3dBi  
 VSWR : 2.0 Max.  
 Impedance : 50 Ω  
 Polarization : Linear  
 Radiation : OMNIDIRECTIONAL  
 Max power : 50W  
 Shell material : ABS  
 Connector : SMA or Other  
 Cable: RG174, Black  
 Length: 3000mm or Other  
 Lightning protection: DC Grounding  
 Operating Temperature : -30°C to +70°C



GENERAL TOLERANCE	ANGLE TOLERANCE	PROJECTION	Description:
X. ±0.60	X. ±5°		GSM Antenna
.X ±0.38	.X ±3°		
.XX ±0.25	.XX ±2°	SHEET SIZE	KLS P/N: KLS1-GSM18010XXXX

Draw by: Date	2016-11-11
Check by: Date	2016-11-11
SCALE	SHEET OF

KLS ELECTRONIC CO., LTD.