

Specification:

Frequency Range: 1579±3MHz

Band Width : 8.0MHz Min.

Polarization: RHCP

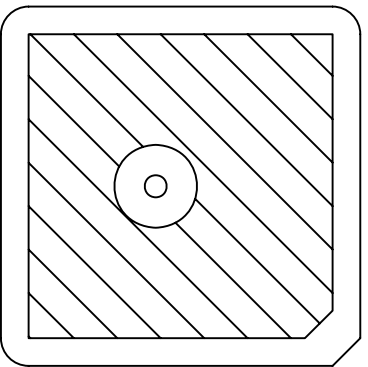
In/Out Impedance: 50Ω

Gain: 2dBi (Zenith)

V.S.W.R: 1.5 Max.

Axial Ratio : 4.0dB Max.

Operating Temperature : -40°C ~ +85°C



GENERAL TOLERANCE		ANGLE TOLERANCE		PROJECTION		Description:
X.	±0.60	X.	±5°	UNITS	⊕	
.X	±0.38	.X	±3°	SHEET SIZE	MM	GPS Dielectric Antenna
.XX	±0.25	.XX	±2°	KLS P/N:	A4	
Draw by: Date		2016-11-11		KLS P/N: KLS-C2040-1579		
Check by: Date		2016-11-11				
SCALE		SHEET		OF		

KLS ELECTRONIC CO., LTD.