

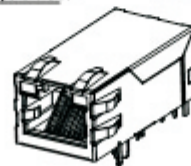
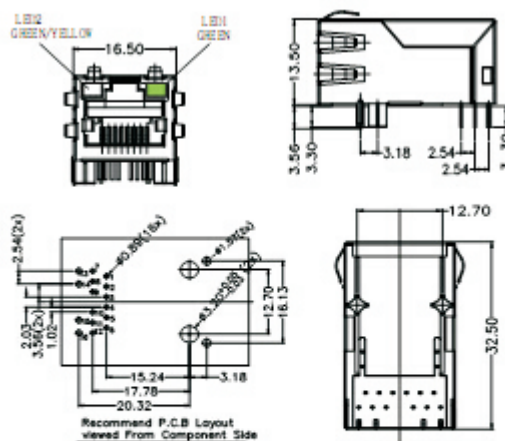
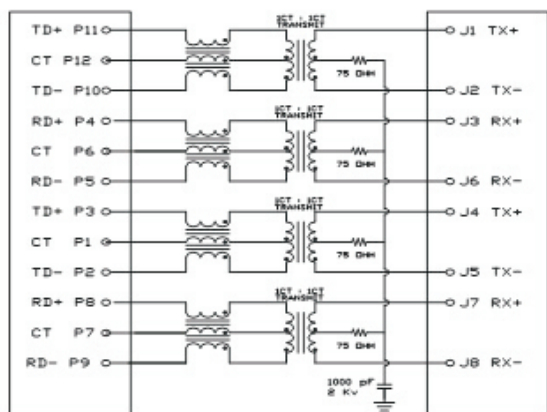
## RJ45 with Transformer

KLS12-TL005 1000 Base 1x1 Tab-up RJ45

### Electrical Specifications:

Insertion Loss: 1-100MHZ -1.0dB MAX  
 Return Loss: 1-30MHZ -16.0dB MIN  
 30-60MHZ -14.0dB MIN  
 60-80MHZ -10.0dB MIN  
 Cross Talk: 1-30MHZ -40.0dB MIN  
 30-60MHZ -35.0dB MIN  
 60-80MHZ -30.0dB MIN  
 CMR: 1M-100MHZ -35dB MIN

Hi-Pot: 1500v AC 6S 1mA  
 Turn Ratio: 1CT:1CT+/-3%  
 OCL: 350uH MIN @ 100KHZ 100mV 8mA DC  
 Contacts: 0.35mm thick phos bronze plated with 6u' gold in contact area  
 Housing Material: PBT Black  
 Operating temperature range: -40°C - +85°C



## ORDER INFORMATION

