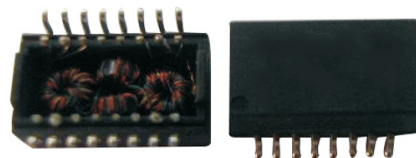


## Ethernet magnetic Transformers

KLS12-TFR-006 100 Base

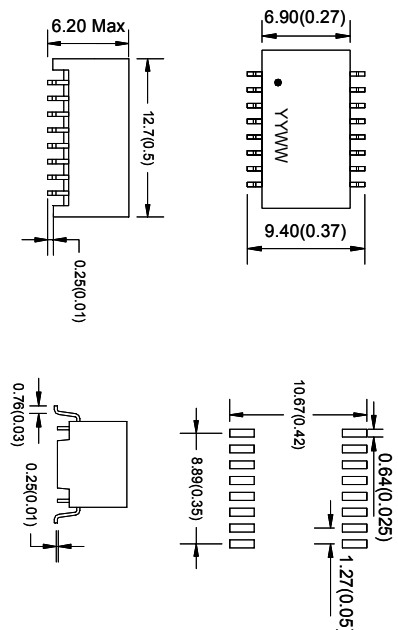
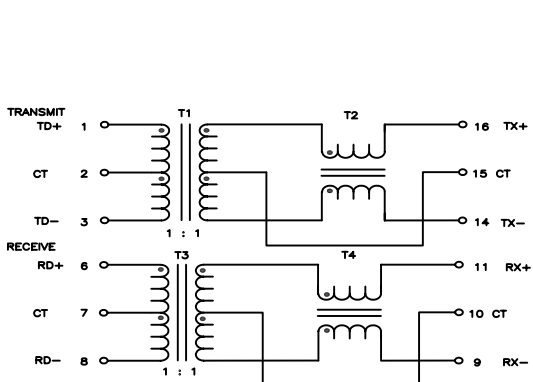
### Electrical Specifications:

- IEEE 802.3af/ANSI X3.263 compliant performance.
- Storage temperature range:-40 ~ +80°C,90%RH
- RoHS compliant
- Operating Humidity:90%RH



Electrical Specification@25°C Operating Temperature 0 to +70°C							
Part NO	Trun Ratio (±3%)		OCL primary@ 100KHz,0.1Vrms,8mA	Leakage primary@ 10KHz,0.1Vrms	Cww (Pri.:Sec.)	DCR (Ω)	
	TX	RX				Primary	Secondary
KMS-1102NL	1CT:1CT	1CT:1CT	350uH Min	0.5uH max	35pF Max	0.9 Max	1.2 Max

Electrical Specification@25°C Operating Temperature 0 to +70°C									
Part NO	Insertion loss (dB max) 1-100MHz	Return loss(dB min) MHz				DMRR (dB min .) MHz		Crosstalk (dB min .) MHz	Isolation Voltage (Vrms min)
		1-30	40	50	60-100	1-60	60-100		
KMS-1102NL	-1.0	-18	-16	-16	-10	-35	-30	-33	1500



## ORDER INFORMATION

L-KLS12-TFR-006

Part Number