

RJ45 with Transformer

KLS12-TL134 1000 Base 2x1 RJ45

Electrical Specifications:

ELECTRICAL:

RoHS peak wave solder temperature rating 235°C
High performance for maximum EMI suppression
350uH minimum OCL with 8mA bias current
PoE rating:15W,350mA,48V (For PoE Products only)

MECHANICAL:

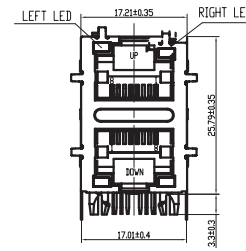
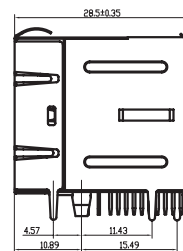
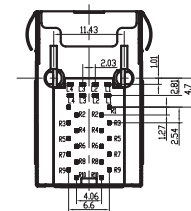
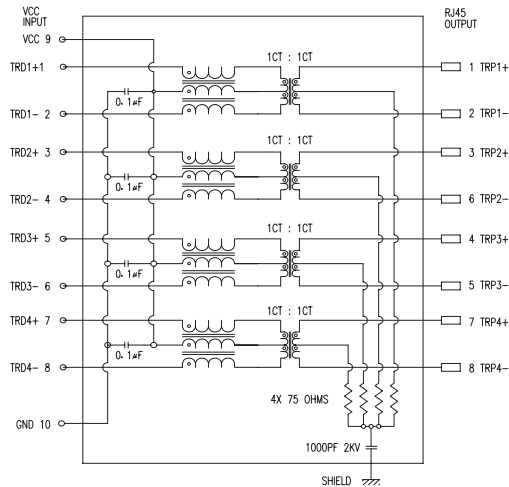
JACK CAVITY CONFORMS TO FCC RULES AND REGULATIONS,PART 68 SUBPART F.
INSERTION FORCE: 2 CONTACTS----350g 4 CONTACTS----500g
6 CONTACTS----750g 8 CONTACTS----900g
10 CONTACTS----1050g
RETENTION STRENGTH: 7.7Kgs BETWEEN JACK AND PLUG
DURABILITY: 750 MATING CYCLES Mini

MATERIAL:

HOUSING: 1) GLASS FILLED PA66 (UL 94V-0)
2) GLASS FILLED PA46/LCP (UL 94V-0)
3) GLASS FILLED PBT (UL 94V-0)
SPRING WIRE: 1) 0.2-0.45mm DIA PHOSPHOR BRONZE GOLD PLATING OVER NICKEL
2) 0.2-0.35mm THICKNESS PHOSPHOR BRONZE ALLOY SELECTIVE GOLD PLATING OVER NICKEL
SHIELDING: 0.12-0.24mm THICKNESS COPPER ALLOY WITH TIN PLATED
GOLD PLATING: 3µ", 6µ", 15µ", 30µ", 50µ"
WORKING TEMPERATURE: -20°C~70°C
TOLERANCES UNLESS OTHERWISE SPECIFIED : 0~10±0.15, 10~20±0.2, 20~40±0.25, 40~70±0.3, 70±0.4



SHEMATIC RV1



ORDER INFORMATION

L-KLS12-TL134 -2X1 - G

Part Number

Part Number

LED Style

2X1Ports

G-Green/Yellow

