

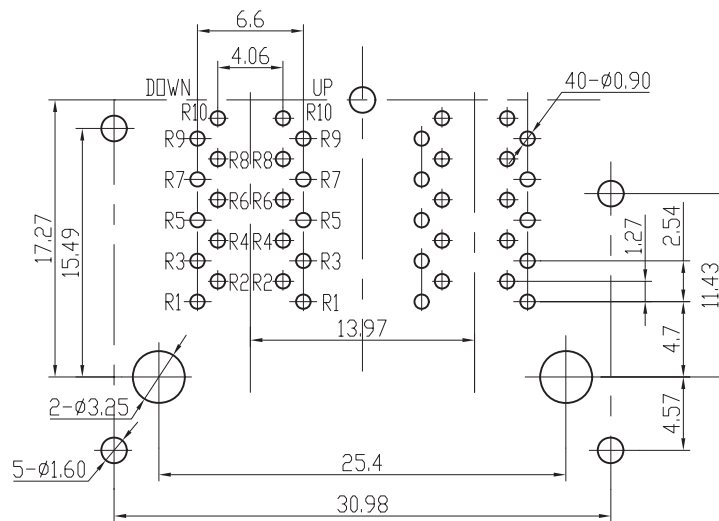
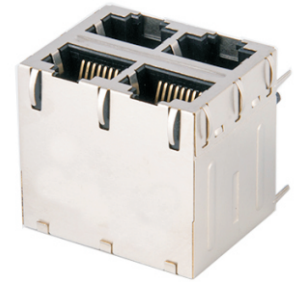
RJ45 with Transformer

KLS12-TL136 1000 Base 2x2 RJ45

Electrical Specifications:

ELECTRICAL SPECIFICATIONS AT 25°C

Insertion Loss dB max	Return Loss dB min		Crosstalk(db TYP)	Common Mode Rejection (dB TYP)	Hipot(vrms)
	1-30MHz	30- 80MHz			
1-125MHz	1-30MHz	30- 80MHz	1- 100MHz	1-100MHz	
-1.2	-18	-18+20log(f/30MHz)	-30	-30	1500/0.5mA OR 2250DC/0.1mA



PCB BOARD LAYOUT

ORDER INFORMATION

L-KLS12-TL136 -2X2 - 03

Part Number

Part Number

Gold Plating

2X2Ports

06u"