

RJ45 with Transformer

KLS12-TL141 100Base 1x2 Tab-Down RJ45

Electrical Specifications:

Insertion Loss: 1-100MHZ -1.0dB MAX

Return Loss: 1-30MHZ -16.0dB MIN

30-60MHZ -14.0dB MIN

60-80MHZ -10.0dB MIN

Cross Talk: 1-30MHZ -40.0dB MIN

30-60MHZ -35.0dB MIN

60-80MHZ -30.0dB MIN

CMR: 1M-100MHZ -35dB MIN

Hi-Pot: 1500v AC 6S 1mA

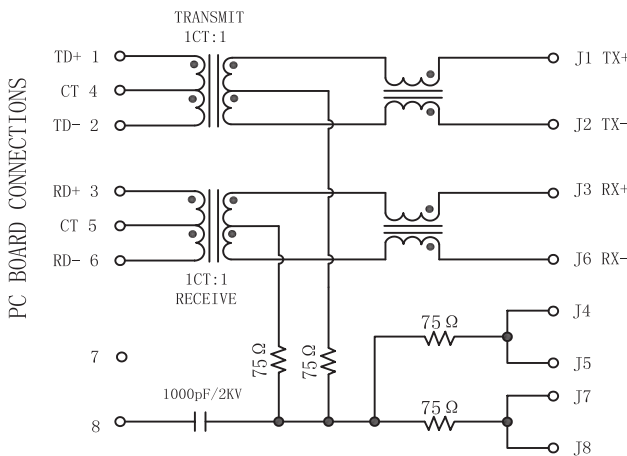
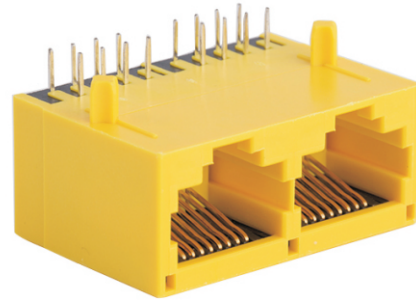
OCL:350uH MIN @ 100KHZ 100mV 8mA DC

Contacts: 0.35mm thick phos bronze plated with 6u' gold in contact area

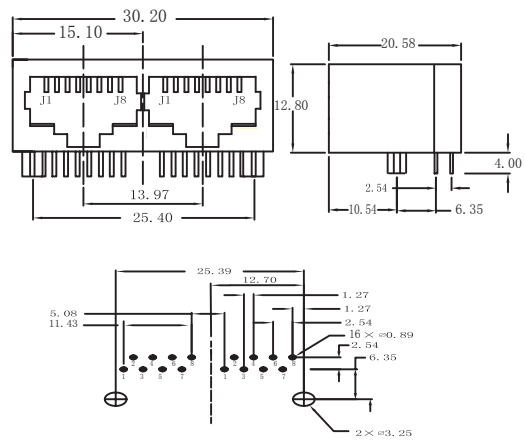
Housing Material:PBT YELLOW

Operating temperature range:-40°C--+85°C

Turn Ratio: 1CT:1CT+/-3%



RJ45 CONNECTOR



ORDER INFORMATION

L-KLS12-TL141-1X2-03

Part Number	Part Number	Gold Plating
	1x2Ports	06u"