

RJ45 with Transformer

KLS12-TL148 1000Base 1x1 RJ45

Electrical Specifications:

NOTES:
 USB PART:
 Plastic:PBT+30%GF or PA66+30%GF, BLACK
 Shell: Brass or SPCC-SD:T=0.30, NI-PLATED
 Terminal: Brass, T=0.25; Gold/Tin Plated
 Insulation Resistance: 1000M Min
 Contact Resistance: 30m Max
 High Voltage:500V AC
 Insertion force:3.57 Kgf Max
 Withdrawal force:1.02 Kgf Min

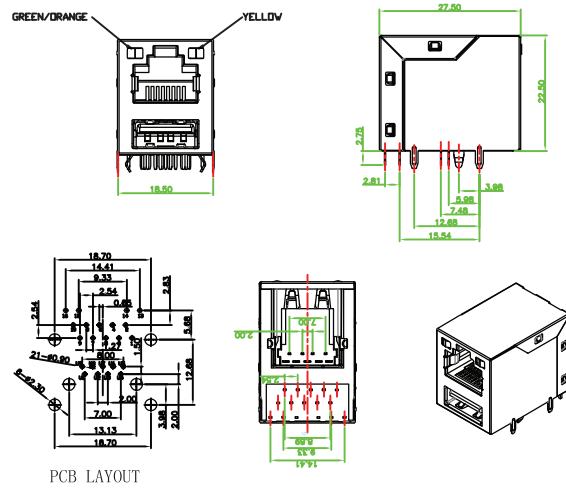
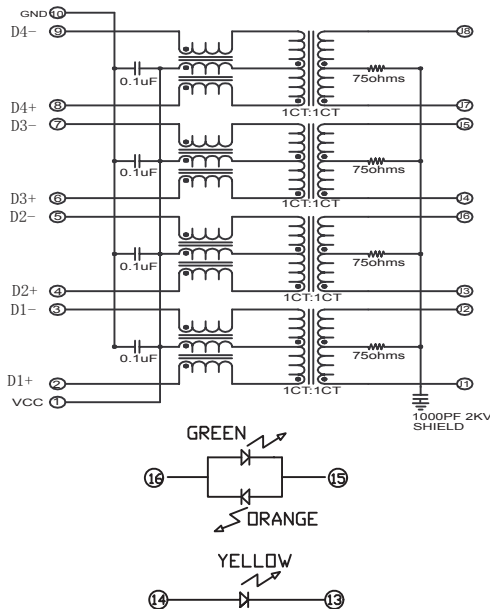


LED Specification

Standard LED Color	LED Wavelength	Forward (V MAX)	Typical (V TYP)	Luminous Intensity
Green	560-580 nm	2.5V	2.1-2.2V	9-25 MCD
Yellow	580-610 nm	2.5V	2.1-2.2V	9-30 MCD
Orange	580-610 nm	2.5V	2.1-2.2V	50-100 MCD

RJ 45 PART

Copper Shell: C2680H,T=0.20; copper bottom: Nickel-plated 50µ Min
 Plastic Shell: Holder, Rear cover: PBT, BLACK
 RJ45S C Side: C5210H,T=0.35 Contact area: Gold-plated 6µ The end of terminal: Tin-plated 100-120µ
 RJ45S Aside:C2680H,T=0.35; Terminal: Tin-plated 100-200µ
 Mechanical working life750times Min



ORDER INFORMATION

