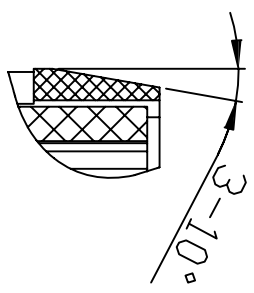
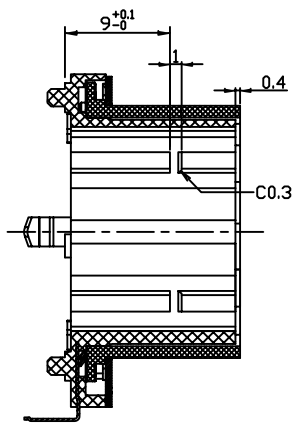
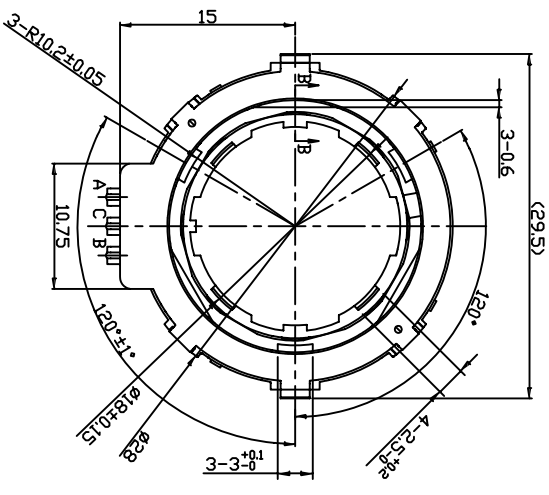


PCB LAYOUT

Electrical Characteristics
 Rated Power: DC5V 5mA Max.
 Output signal: A \ B 2signals
 Resolution: 15 Pulses 360°
 Phase difference: 0.08T Min.
 Sliding noise: 3MS Max.
 Contact Resistance: 1Ω Max.
 Insulation resistance: 100MΩ Min. at DC 250V
 Withstand voltage: AC300V / 1 min

Mechanical
 Total rotation angle: 360°
 Click Torque: 80~200gf.cm Max
 Push-pull Strength of Shaft: 8.0kgf Min.
 Shaft wobble: 0.7X/30mm P-P max. L-shaft length
 Number of Detents(Click): 30 detents Step angle:12°±2°
 Shaft play in axial direction: 0.4mm Max.
 shaft play in rotational wobble: 5° Max.
 Rotational Life: 30000±200 cycles
 Temp. Range: -40 ° C ~ + 85 ° C
 Soldering: 250 ° C Ssec. Max.



GENERAL TOLERANCE		ANGLE TOLERANCE		PROJECTION		Description:	
X: ±0.50	.X ±0.38	.XX ±0.25	X: ±5°	.X ±3°	.XX ±2°		UNITS
Draw by: Date			2015-09-01		mm		28MM Ring type Encoder
Check by: Date			2015-09-15		A4		
SCALE			SHEET		OF		KLS ELECTRONIC CO., LTD.
KLS P/N:			KLS P/N:		KLS4-RT2802		

