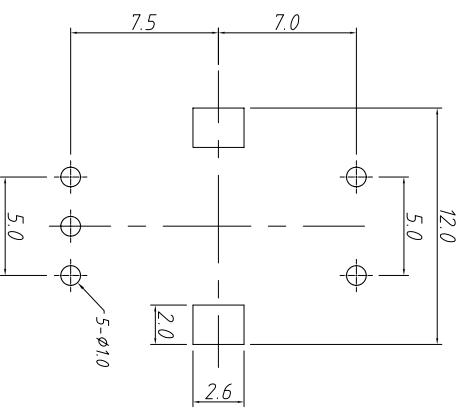
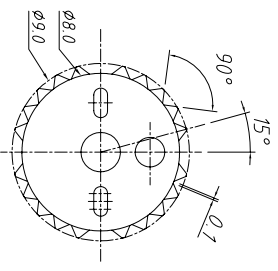
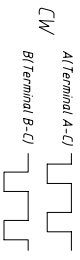


Electrical Characteristics
 Rated Power: DC5V 5mA Max.
 Output signal: A \ B 2signals
 Resolution: 15 Pulses 360°
 Phase difference: 0.08T Min.
 Sliding noise: 3mS Max.
 Contact Resistance: 1Ω Max.
 Insulation resistance: 100MΩ Min. at DC 250V
 Withstand voltage: AC300V / 1min

Mechanical
 Total rotation angle: 360°
 Click Torque: 20~200 gf.cm
 Push-pull Strength of Shaft: 8.0kgf Min.
 Number of Detents: 30 detents Step angle:12°±2°
 Rotational Life: 15000±200 cycles per 100gf.cm Min.
 Temp. Range: -30 ° C ~ + 80 ° C
 Soldering: 250 ° C 3Sec. Max.



PCB LAYOUT



Order Information:
 L-KLS4-EC1108 S - 5A-XX
 Rohs
 11mm Encoder
 Switch: S - with switch
 Pulse and Detent Code
 5A: 15 Pulse with 30 Detents
 Shaft type and Length Code

GENERAL TOLERANCE	ANGLE TOLERANCE	PROJECTION	Description:
X: ±0.50	X: ±5°		11MM Encoder with Switch
.X ±0.38	.X ±3°		
.XX ±0.25	.XX ±2°		

Draw by: Date	2017-09-01	UNITS	mm	SHEET SIZE	A4	KLS P/N	KLS4-EC1108S-XX-XX
Check by: Date	2017-09-05	KLS ELECTRONIC CO., LTD.					

SCALE	SHEET	OF

KLS ELECTRONIC CO., LTD.