

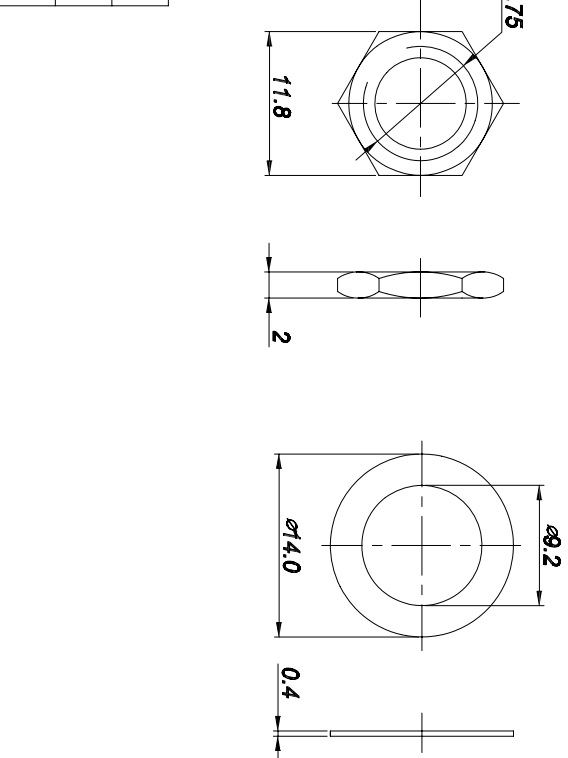
Order Information:
 L-KLS4-EC1603 -E- XX-XXX
 Shaft type and Length Code
 Pulse and Detent Code
 6A: 12 Pulse with 12 Detents
 6B: 12 Pulse without Detent
 8A: 24 Pulse with 24 Detents
 8B: 24 Pulse without Detent
 Bushing: E- D=5mm
 F- D=7mm
 16mm Encoder
 RoHS

Electrical Characteristics
 Rated Power: DCSV 5mA Max.
 Output signal: A \ B 2signals
 Resolution: 12 Pulses 360°
 24 Pulses 360°
 Sliding noise: 3mS Max.
 Contact Resistance: 1Ω Max.
 Insulation resistance: 100MΩ Min. at DC 250V
 Withstand voltage: AC50V / 1 min

Mechanical
 Total rotation angle: 360°
 Detents Torque: 30~200 gf.cm
 Number of Detents: 12 detents Step angle:30°±2°
 24 detents Step angle:15°±2°
 Rotational Life: 30000±200 cycles per 100gf.cm Min.
 Temp. Range: -10 ° C ~ + 70 ° C
 Soldering: 235 ° C 5Sec. Max.

Shaft type

Shaft type	L	F
F Shaft	15	7



PCB LAYOUT

Shaft type	L	F
F Shaft	15	7

T Shaft

Shaft type	L	F
F Shaft	15	7

GENERAL TOLERANCE		ANGLE TOLERANCE		PROJECTION		Description:
X: ±0.50	.X ±0.38	.XX ±0.25	X: ±5°	.X ±3°	.XX ±2°	
Draw by: Date	2015-09-01					16mm Encoder Right angle KLS4-EC1603-EXX-XXX
Check by: Date	2015-09-15					
SCALE						

KLS ELECTRONIC CO., LTD.