

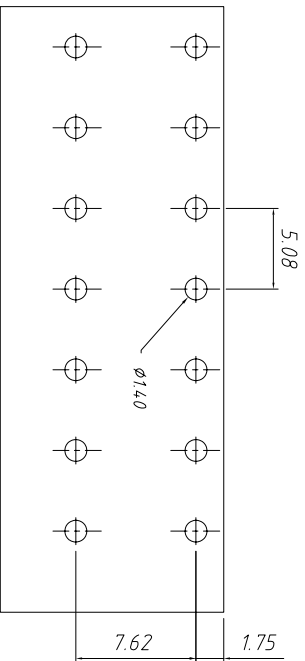
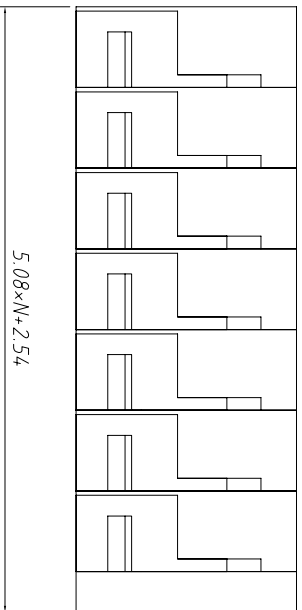
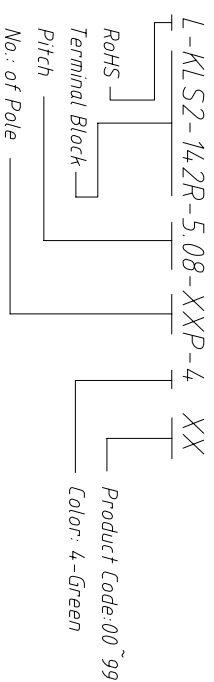
**SECTION A-A**

*Material*  
 Strapsnel: Stainless steel  
 Pin header: Brass , Tin plated  
 Housing: PA66 , UL94V-0

*Electrical*  
 Rated voltage: 300V  
 Rated current: 10A  
 Wire range: 22~16AWG 1.5mm<sup>2</sup>  
 Contact Resistance: 20 mΩ  
 Insulation resistance: 500MΩ/DC500V  
 Withstand voltage: AC2000V / 1min

*Mechanical*  
 Temp. Range: -40 °C ~ +105 °C  
 Soldering: 250°C ±5°C for 5S  
 Strip length: 9~10 mm

*Order Information*



**PCB LAYOUT**

GENERAL TOLERANCE		ANGLE TOLERANCE		PROJECTION	
X. ±0.60		X. ±5°		UNITS	mm
X. ±0.38		X. ±3°		SHEET SIZE	A4
XX ±0.25		XX ±2°		KLS P/N:	KLS2-14ZR-5.08-XXP
Draw by: Date		2015-09-01		Description: Spring Clamp Terminal Block 5.08mm	
Check by: Date		2015-09-15			
SCALE		SHEET			
		OF		KLS ELECTRONIC CO., LTD.	